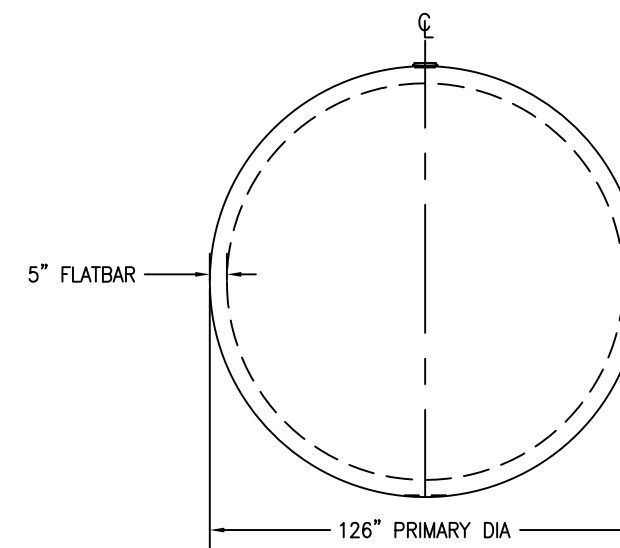
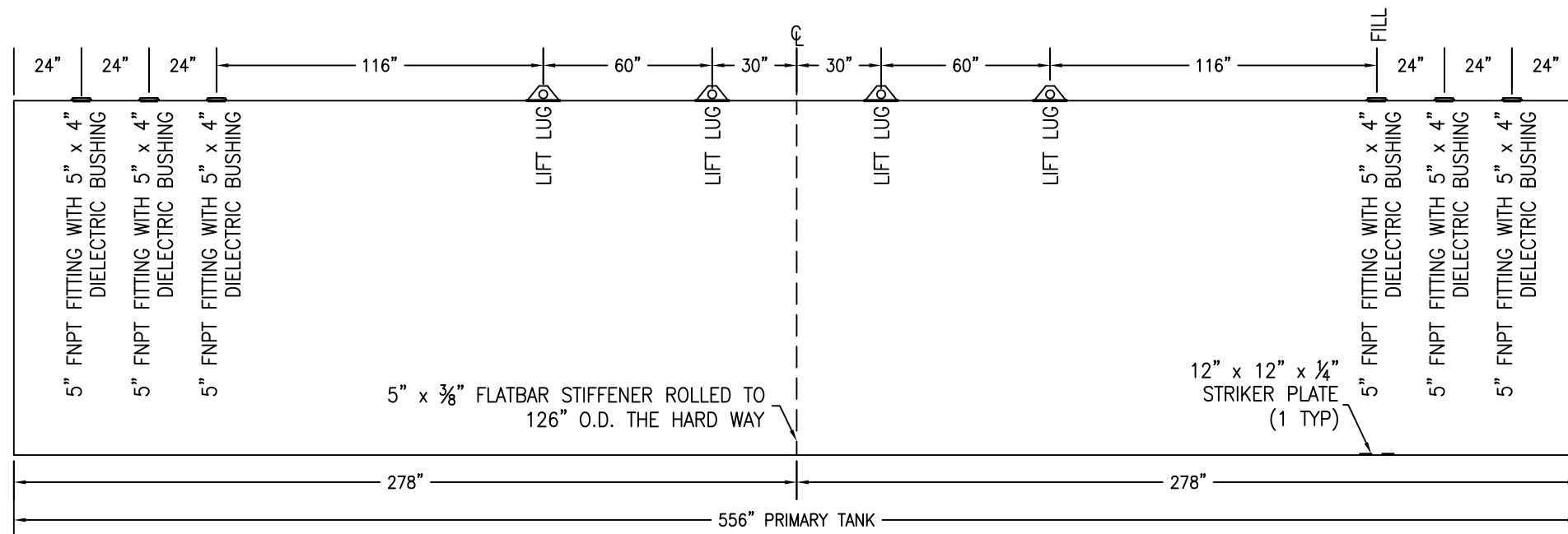


NOTES:

- 1) ALL OPENINGS INSTALLED WITH DI-ELECTRIC BUSHINGS OR SPOOL FLANGES AND FLANGE ISOLATION KITS IN ACCORDANCE WITH STEEL TANK INSTITUTE.
- 2) THIS TANK DESIGNED FOR A BURIAL DEPTH OF 5 FEET (GRADE TO TOP OF TANK) WITH APPROVED BACKFILL MATERIAL.



CUSTOMER APPROVAL SIGNATURE/DATE:

**30,000 GALLON S/W UNDER LECHATE GROUND TANK**

**SURFACE PREPARATION/COATING INFORMATION:**  
 INTERIOR SURFACES: SSPC-SP-3 POWER TOOL CLEAN WELDS ONLY  
 REMOVE ALL LOOSE DEBRIS  
  
 EXTERIOR SURFACES: SSPC-SP-6 COMMERCIAL BLAST CLEAN  
 75 mils UL-1746 APPROVED POLYURETHANE COATING

**MATERIAL /CONSTRUCTION/ LABELING INFORMATION:**  
 MATERIAL: CARBON STEEL ASTM A 36 OR A 569  
 MATERIAL THICKNESS: PRIMARY HEADS: 1/4" PRIMARY TANK: ROARK MIN. 0.2668 W/STIFFENER  
  
 LABELING/MARKING: UNDERWRITERS LABORATORIES UL-58

CUSTOMER:  
 PROJECT:  
 AGENT:

**GENERAL INDUSTRIES**

P.O. BOX 1279 GOLDSBORO, NC 27533  
 PHONE: (919)751-1791 FAX: (919)751-8186

DRAWING NUMBER:  
**GIWUG-L-30126** 11/2014

QUANTITY: ONE (1) REQUIRED  
 WEIGHT: 23,250 lbs ± 10%