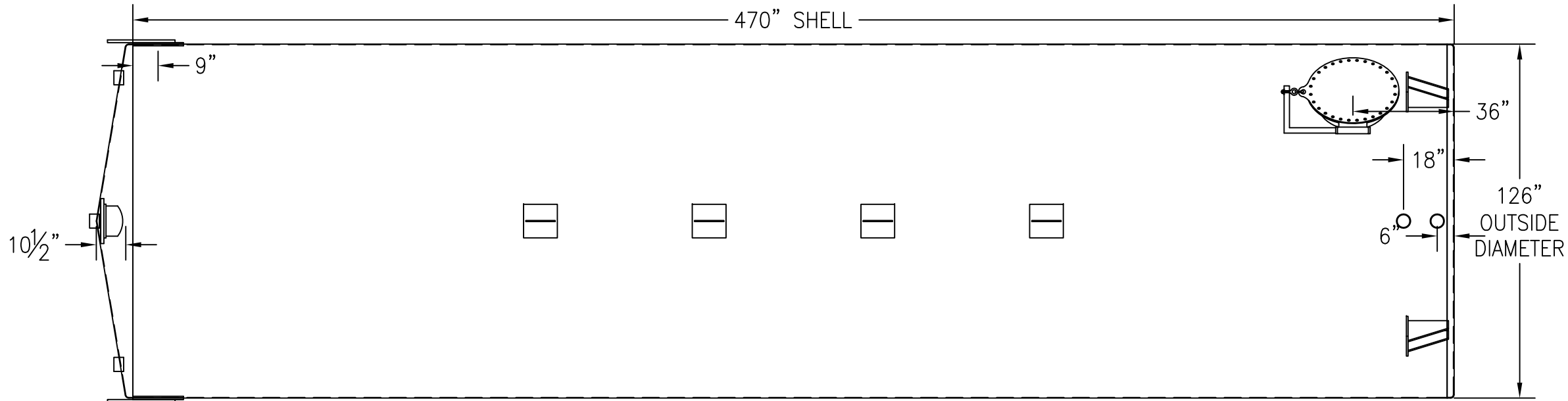
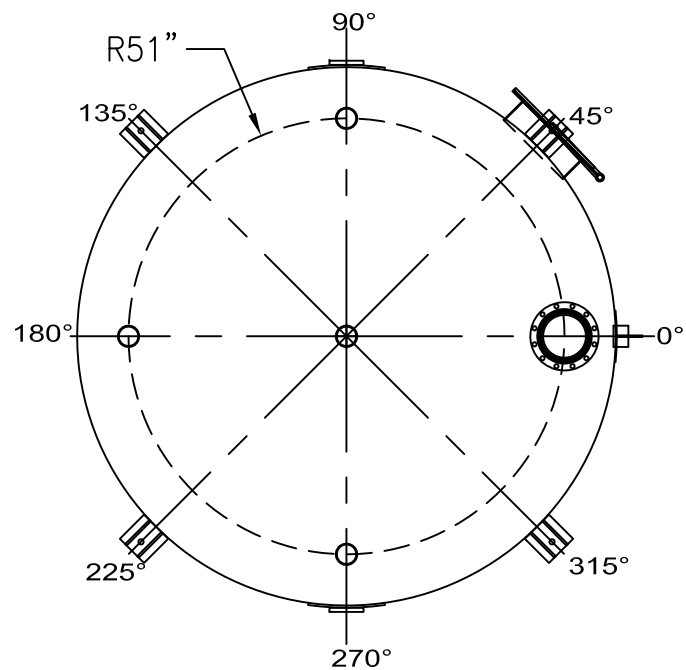


ANGLE:	LOCATION:	DESCRIPTION:	ANGLE:	LOCATION:	DESCRIPTION:
0°	SHELL, UP 6"	4" FNPT COUPLING	90°	TOP, 51" RADIUS	4" FNPT COUPLING
0°	SHELL, UP 18"	4" FNPT COUPLING	90°	SHELL, DOWN 9"	ERECTION LUG W/REPAD
0°	SHELL, TBD	LIFTING LUG W/REPAD	135°	BOTTOM	ANCHOR CHAIR
0°	SHELL, TBD	LIFTING LUG W/REPAD	180°	TOP, 51" RADIUS	4" FNPT COUPLING
0°	SHELL, TBD	LIFTING LUG W/REPAD	225°	BOTTOM	ANCHOR CHAIR
0°	SHELL, TBD	LIFTING LUG W/REPAD	270°	SHELL, DOWN 9"	ERECTION LUG W/REPAD
0°	TOP, 51" RADIUS	10" 150# RFSO FLANGE (EMERGENCY VENT)	270°	TOP, 51" RADIUS	4" FNPT COUPLING
45°	BOTTOM	ANCHOR CHAIR	315°	BOTTOM	ANCHOR CHAIR
45°	SHELL, UP 36"	24" SHELL MANWAY W/DAVIT ARM	N/A	TOP, CENTER	4" FNPT COUPLING (NORMAL VENT)

**ALL WELDS DOUBLE BUTT  
W/FULL PENETRATION**

ALL BOLT HOLES TO STRADDLE MAJOR CENTERLINES OR THEIR PARALLELS



CUSTOMER APPROVAL SIGNATURE/DATE:

**25,000 GALLON VERTICAL S/W ABOVE GROUND SULFURIC ACID STORAGE TANK**

**SURFACE PREPARATION/COATING INFORMATION:**

INTERIOR SURFACES: SSPC-SP-3 POWER TOOL CLEAN  
WELDS ONLY REMOVE ALL LOOSE DEBRIS

EXTERIOR SURFACES:  
SSPC-SP-6 COMMERCIAL BLAST CLEAN  
ONE COAT WHITE URETHANE

**MATERIAL /CONSTRUCTION/ LABELING INFORMATION:**

MATERIAL: CARBON STEEL ASTM A 36 OR ASTM A 569  
MATERIAL THICKNESS: 3/8"

LABELING/MARKING: API 650 APPENDIX J

CUSTOMER:

PROJECT:

AGENT:



P.O. BOX 1279 GOLDSBORO, NC 27533  
PHONE: (919)751-1791 FAX: (919)751-8186

DRAWING NUMBER:

**GICV-SA-25120**

11/2014

QUANTITY: ONE (1) REQUIRED  
WEIGHT: 24,250 lbs ± 10%