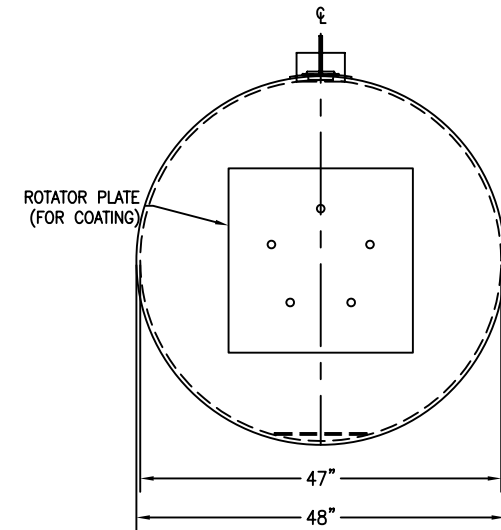
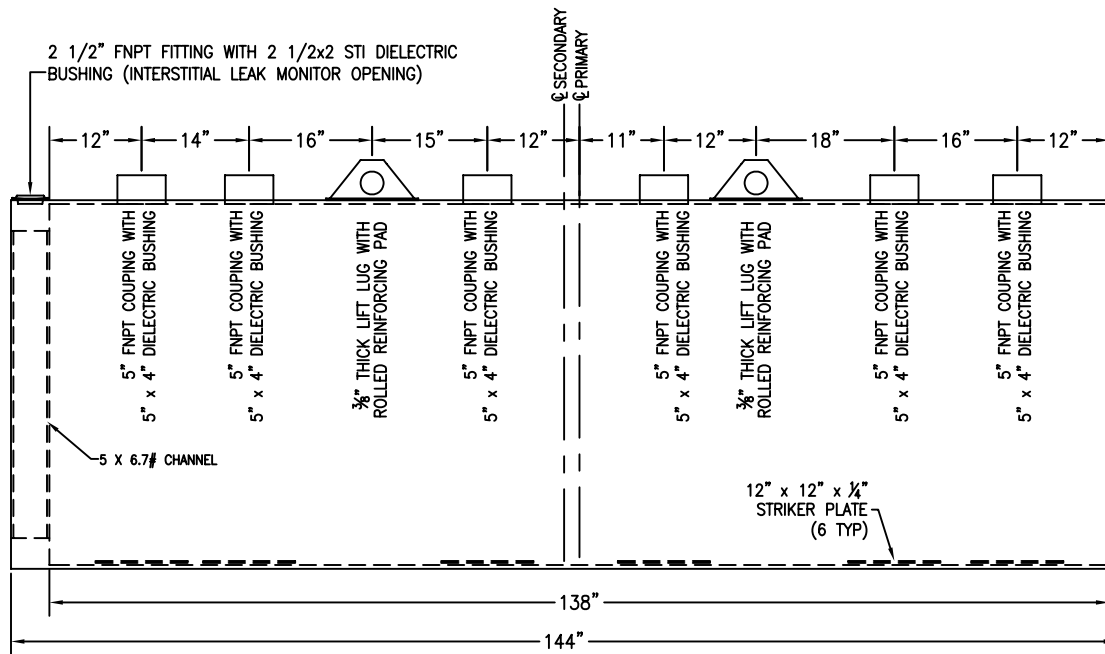


\* 1/4" THICK STRIKER PLATES INSTALLED ON THE TANK INTERIOR BOTTOM UNDER EACH OPENING IN ACCORDANCE WITH STEEL TANK INSTITUTE  
 \* ALL OPENINGS INSTALLED WITH DI-ELECTRIC BUSHINGS OR SPOOL FLANGES AND FLANGE ISOLATION KITS IN ACCORDANCE WITH STEEL TANK INSTITUTE  
 \*\*\*\*\* THIS TANK DESIGNED FOR MAXIMUM BURIAL DEPTH OF 5 FEET (GRADE TO TOP OF TANK) WITH APPROVED BACKFILL MATERIAL \*\*\*\*\*



CUSTOMER APPROVAL SIGNATURE/DATE:

1000 GALLON ACT 100 D/W UNDER GROUND TANK

**SURFACE PREPARATION/COATING INFORMATION:**  
 INTERIOR SURFACES: N/A  
 EXTERIOR SURFACES: SSPC-SP-6 COMMERCIAL BLAST CLEAN  
 100 mils MINIMUM STEEL TANK INSTITUTE APPROVED FIBERGLASS REINFORCED POLYESTER RESIN COATING (REICHOLD CHEMICALS 33-402/33-404 POLYESTER RESIN AND PPG FIBERGLASS ROVING)

**MATERIAL /CONSTRUCTION/ LABELING INFORMATION:**  
 MATERIAL: CARBON STEEL (ASTM A 36, ASTM A 635 OR ASTM A 569)  
 MATERIAL THICKNESS: PRIMARY TANK: 10 GA (ROARK MINIMUM .123) PRIMARY HEADS: 10 GA  
 SECONDARY SHELL: 10 GA SECONDARY HEAD: 10 GA  
 CONSTRUCTION IN ACCORDANCE WITH UNDERWRITERS LABORATORIES UL-58 STANDARD FOR STEEL UNDERGROUND TANKS FOR FLAMMABLE AND COMBUSTIBLE LIQUIDS AND STEEL TANK INSTITUTE ACT-100 SPECIFICATION FOR EXTERNAL CORROSION PROTECTION OF FRP COMPOSITE STEEL UNDERGROUND STORAGE TANKS  
 LABELING/MARKING: UNDERWRITERS LABORATORIES UL-58  
 / STEEL TANK INSTITUTE ACT-100 / G.I. NAMEPLATE

CUSTOMER:  
 PROJECT:  
 AGENT:



P.O. BOX 1279 GOLDSBORO, NC 27533  
 PHONE: (919)751-1791 FAX: (919)751-8186

DRAWING NUMBER:

QUANTITY: ONE (1) REQUIRED  
 WEIGHT: 3,250 lbs ± 5%