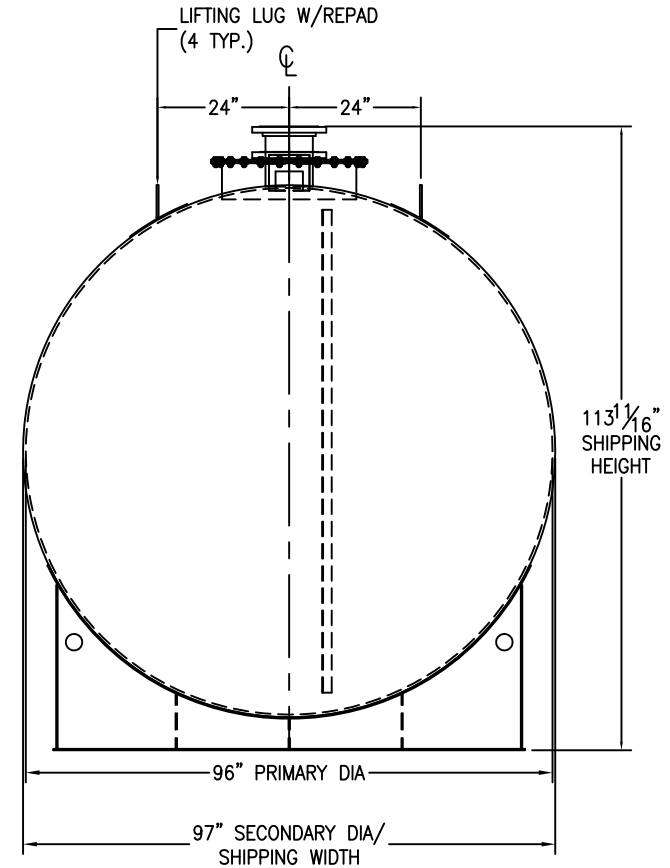
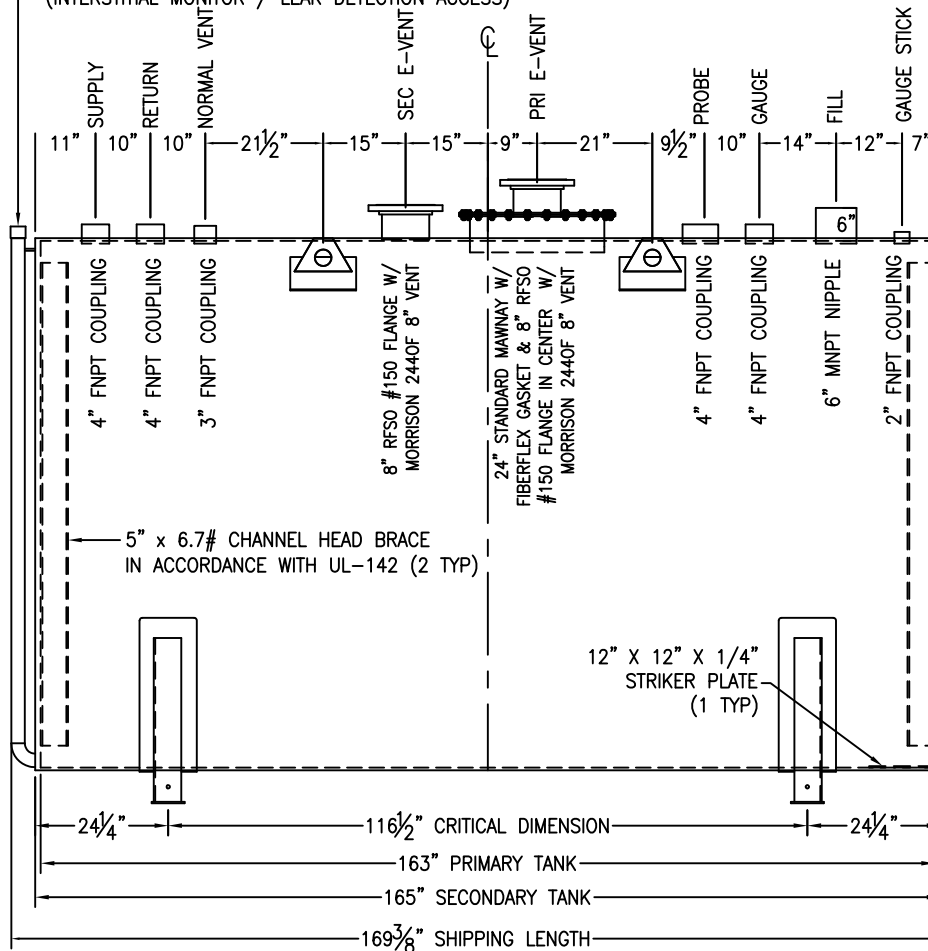


\*SADDLES ARE SEAL WELDED TO TANK

2" 90° LONG RADIUS ELBOW WITH 2" SCH. 40 PIPE AND 2" FNPT COUPLING  
(INTERSTITIAL MONITOR / LEAK DETECTION ACCESS)



CUSTOMER APPROVAL SIGNATURE/DATE:

5,000 GALLON HORIZONTAL D/W ABOVE GROUND TANK

SURFACE PREPARATION/COATING INFORMATION:

INTERIOR SURFACES: SSPC-SP-3 POWER TOOL CLEAN WELDS ONLY  
 REMOVE ALL LOOSE DEBRIS  
 EXTERIOR SURFACES: SSPC-SP-6 COMMERCIAL BLAST  
 5-7 MILS ALIPHATIC URETHANE (WHITE)

MATERIAL /CONSTRUCTION/ LABELING INFORMATION:

MATERIAL: CARBON STEEL ASTM A 36 OR A 569  
 MATERIAL THICKNESS: PRIMARY TANK SHELL AND HEADS: 1/4"  
 SECONDARY TANK SHELL: 10 GA HEADS: 1/4"

LABELING/MARKING: UNDERWRITERS LABORATORIES UL-142/STI F-921

CUSTOMER:

PROJECT:

AGENT:

**GENERAL INDUSTRIES**

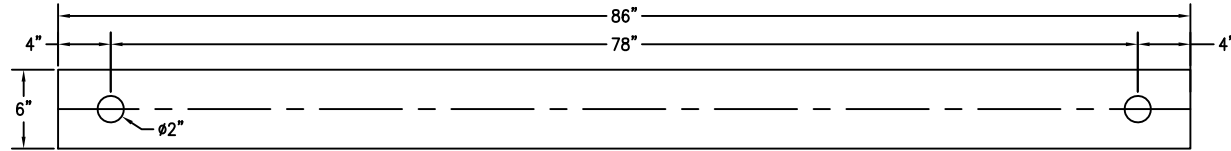
P.O. BOX 1279 GOLDSBORO, NC 27533  
 PHONE: (919)751-1791 FAX: (919)751-8186

DRAWING NUMBER: GIDH05K96

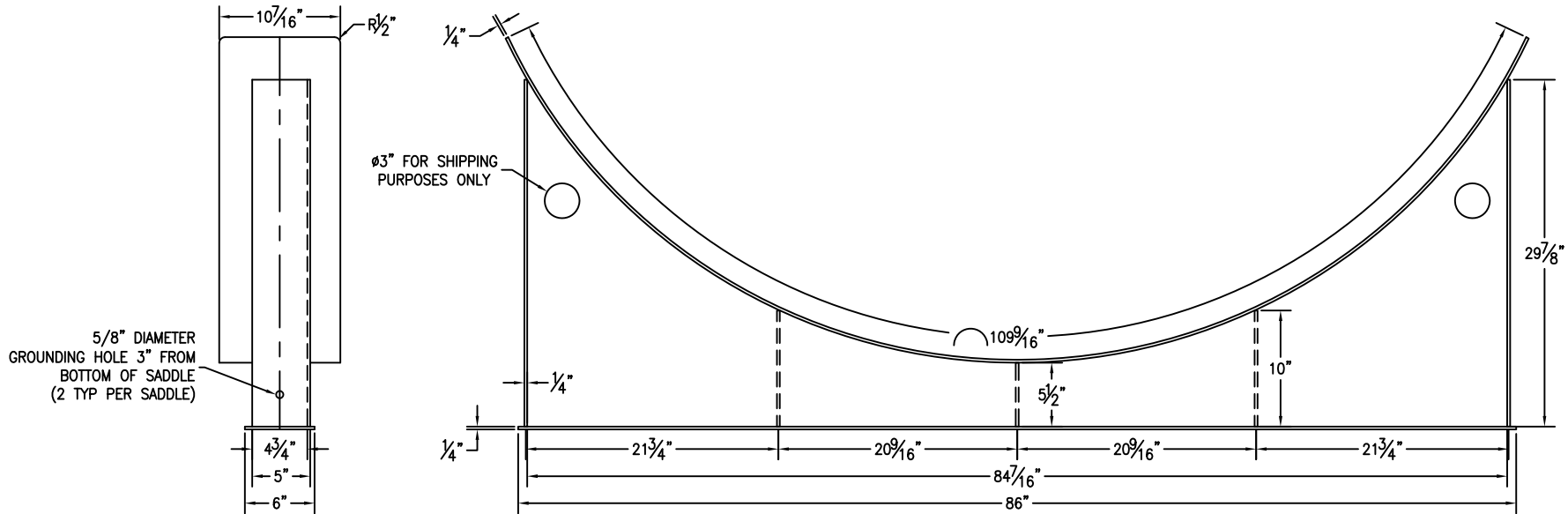
REVISED 7/14

QUANTITY: ONE (1) REQUIRED  
 WEIGHT: 9,000 lbs ± 10%

\*SADDLES ARE SEAL WELDED TO TANK



BASE PLATE ANCHOR HOLE DETAIL



5/8" DIAMETER  
GROUNDING HOLE 3" FROM  
BOTTOM OF SADDLE  
(2 TYP PER SADDLE)

ø3" FOR SHIPPING  
PURPOSES ONLY

CUSTOMER APPROVAL SIGNATURE/DATE:

5,000 GAL 6" TALL SADDLE FOR 97" DIAMETER TANK

SURFACE PREPARATION/COATING INFORMATION:

EXTERIOR SURFACES: SSPC-SP-6 COMMERCIAL BLAST  
5-7 MILS ALIPHATIC URETHANE (WHITE)

MATERIAL /CONSTRUCTION/ LABELING INFORMATION:

MATERIAL: CARBON STEEL ASTM A 36 OR A 569

CUSTOMER:

PROJECT:

AGENT:



P.O. BOX 1279 GOLDSBORO, NC 27533  
PHONE: (919)751-1791 FAX: (919)751-8186

DRAWING NUMBER: GI-S609705DW

REVISED 7/14

QUANTITY: TWO (2) REQUIRED  
WEIGHT: 260 lb ± 10%