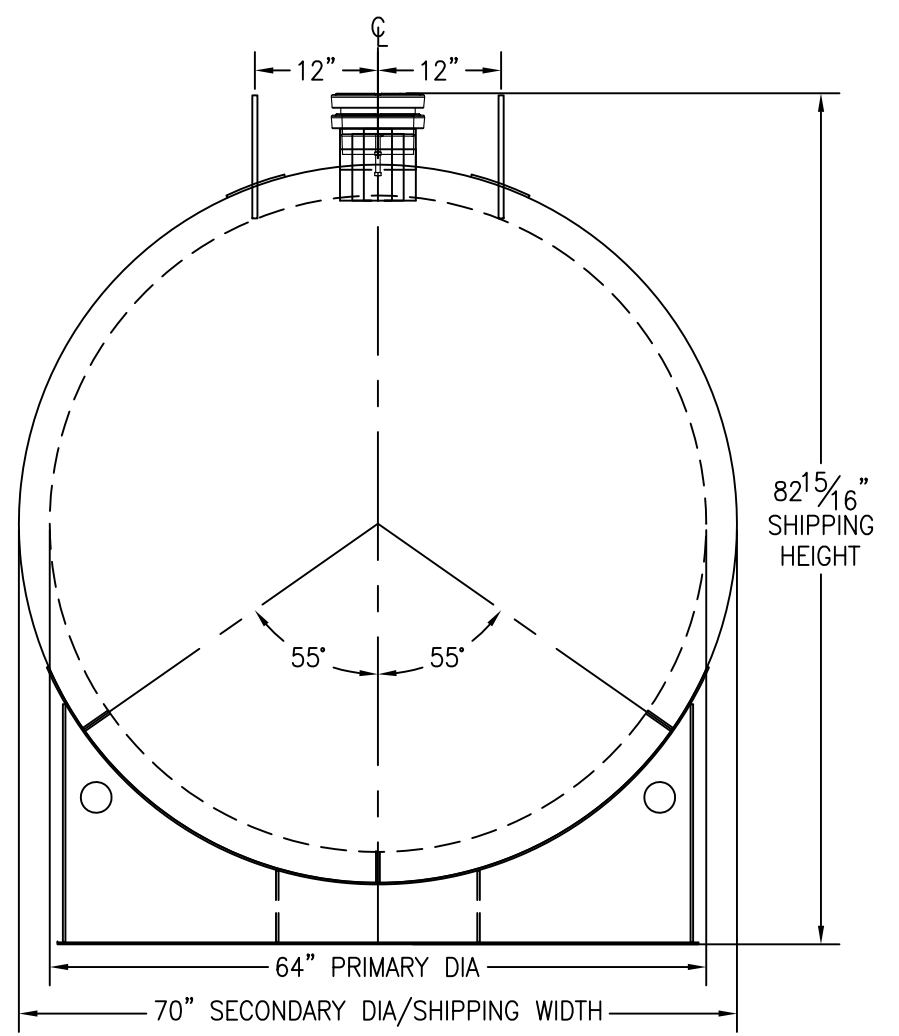
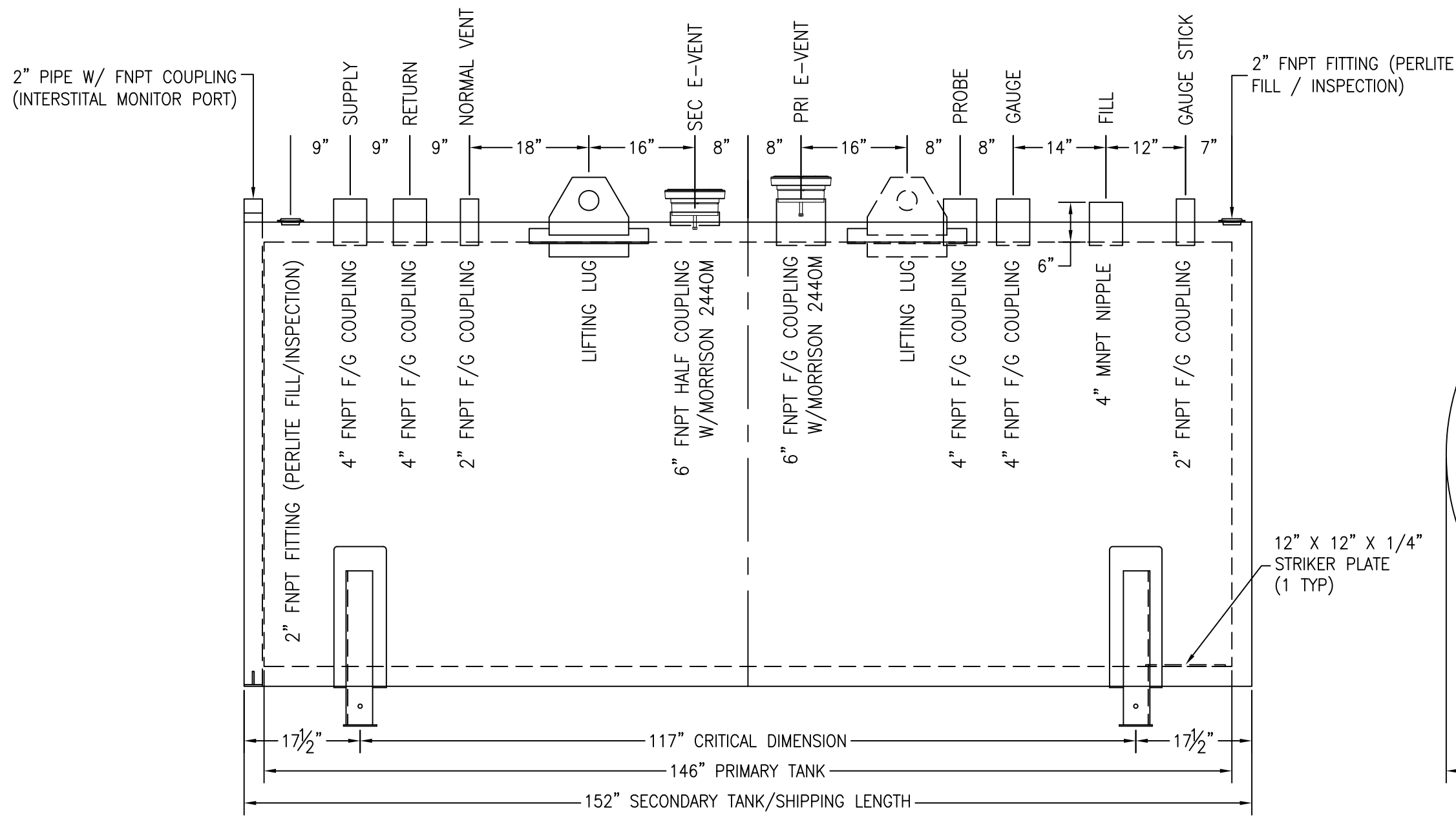




\*SADDLES ARE SEAL WELDED TO TANK



CUSTOMER APPROVAL SIGNATURE/DATE:

**2,000 GALLON THERMALLY INSULATED (FIREGUARD) STORAGE TANK**

**SURFACE PREPARATION/COATING INFORMATION:**  
 INTERIOR SURFACES: SSPC-SP-3 POWER TOOL CLEAN WELDS ONLY  
 REMOVE ALL LOOSE DEBRIS  
 EXTERIOR SURFACES: SSPC-SP-6 COMMERCIAL BLAST  
 ONE COAT WHITE URETHANE @ 5-7 MILS DFT

**MATERIAL /CONSTRUCTION/ LABELING INFORMATION:**  
 MATERIAL: CARBON STEEL ASTM A 36 OR A 569  
 MATERIAL THICKNESS: PRIMARY TANK: 7 GA  
 SECONDARY TANK: 7 GA

CUSTOMER:  
 PROJECT:  
 AGENT:



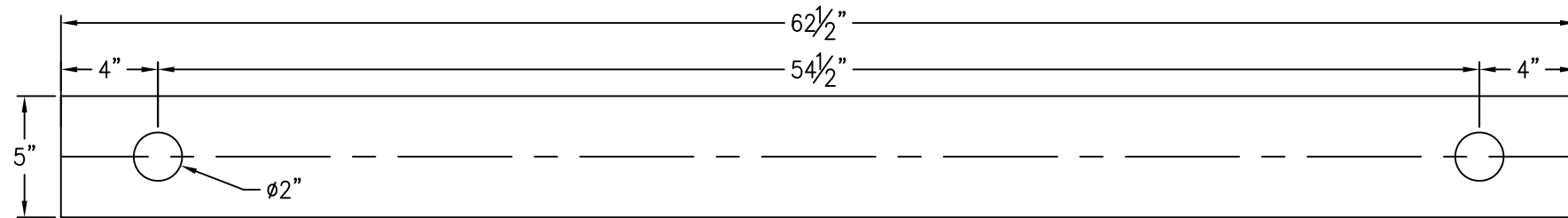
P.O. BOX 1279 GOLDSBORO, NC 27533  
 PHONE: (919)751-1791 FAX: (919)751-8186

DRAWING NUMBER: GIFG02K64  
 REVISED 6/15

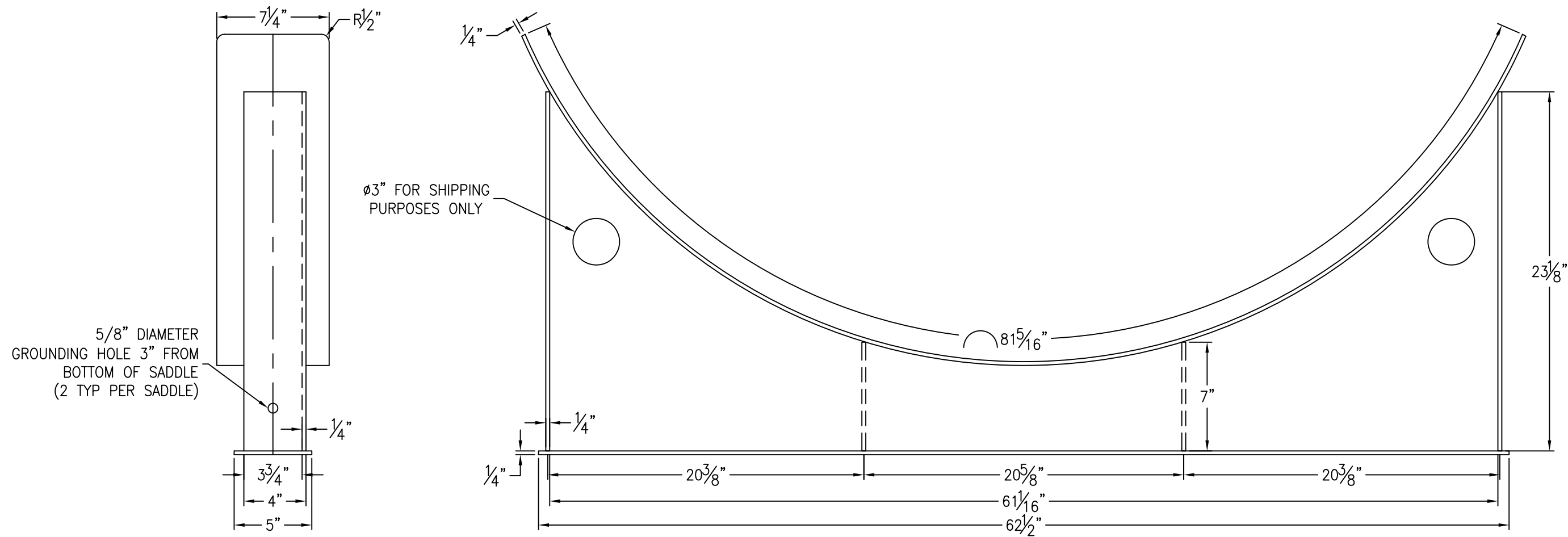
QUANTITY: ONE (1) REQUIRED  
 WEIGHT: 7,750 lbs ± 10%

LABELING/MARKING: UNDERWRITERS LABORATORIES UL-2085  
 / STEEL TANK INSTITUTE FIREGUARD

\*SADDLES ARE SEAL WELDED TO TANK



BASE PLATE ANCHOR HOLE DETAIL



CUSTOMER APPROVAL SIGNATURE/DATE:

**2,000 GAL 6" TALL SADDLE FOR 70" DIAMETER FIREGUARD TANK**

**SURFACE PREPARATION/COATING INFORMATION:**

EXTERIOR SURFACES: SSPC-SP-6 COMMERCIAL BLAST  
ONE COAT WHITE URETHANE @ 5-7 MILS DFT

**MATERIAL /CONSTRUCTION/ LABELING INFORMATION:**

MATERIAL: CARBON STEEL ASTM A 36 OR A 569

CUSTOMER:

PROJECT:

AGENT:



P.O. BOX 1279 GOLDSBORO, NC 27533  
PHONE: (919)751-1791 FAX: (919)751-8186

DRAWING NUMBER:  
GI-S6F7002

REVISED 6/15

QUANTITY: TWO (2) REQUIRED  
WEIGHT: 155 lbs ea ± 10%