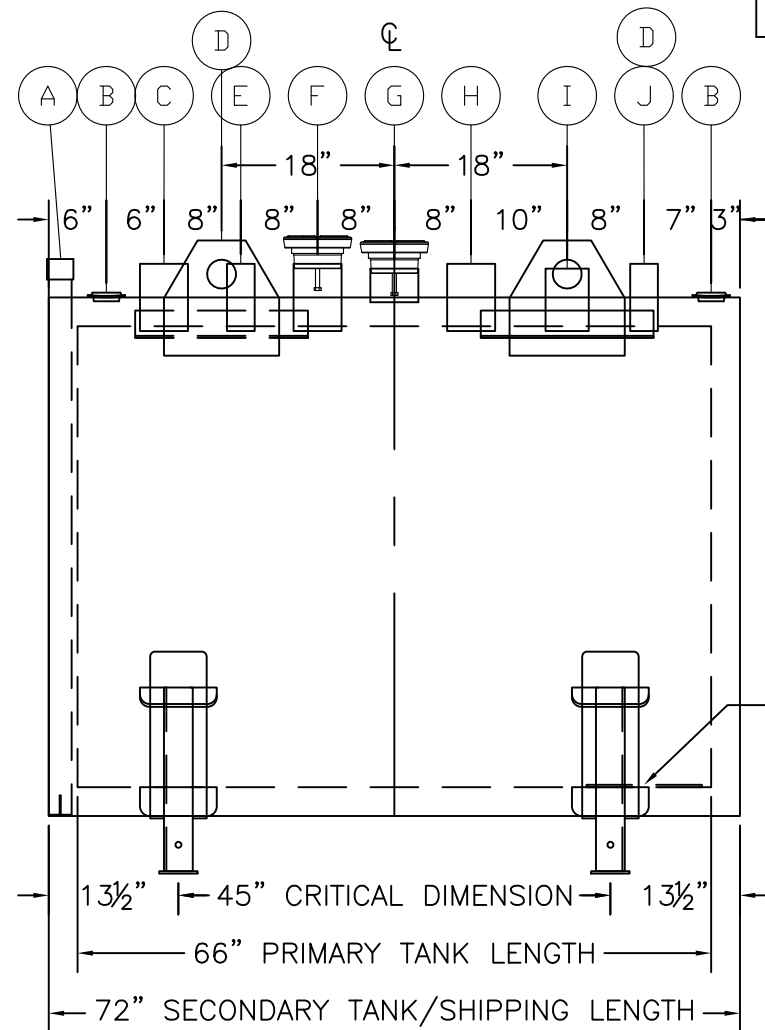


Parts List

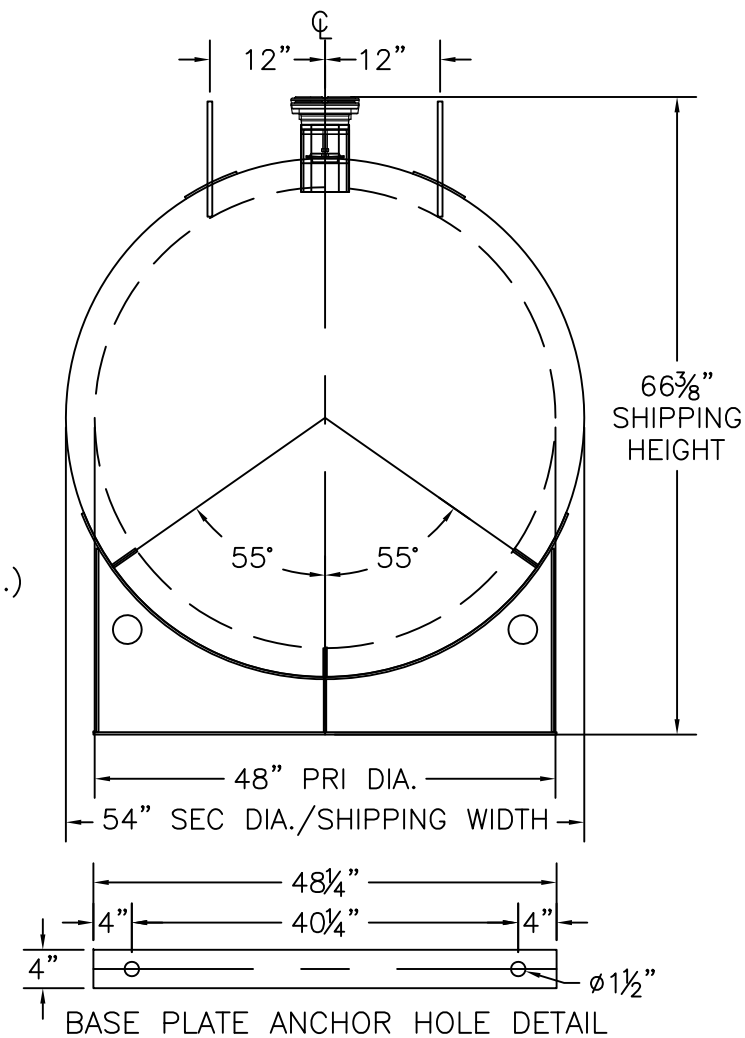


ALL PROJECTION OUT DIMENSIONS ARE FROM THE PRIMARY TANK W/ EXCEPTION OF SECONDARY E-VENT & INTERSTITIAL MONITOR

ITEM	QTY	SIZE	RATING	TYPE	MATERIAL	PROJ. OUT	FUNCTION	ITEM	QTY	SIZE	RATING	TYPE	MATERIAL	PROJ. OUT	FUNCTION
A	1	2"	FNPT	COUPLING W/ PIPE	C.S.	4"	INTERSTITIAL MONITOR	F	1	4"	FNPT	FIREGUARD COUPLING	C.S.	6 1/2"	PRIMARY E-VENT W/ E-VENT INSTALLED MORRISON 2440M OR EQUAL
B	2	2"	FNPT	FITTING	C.S.	-	PERLITE FILL/INSPECTION	G	1	4"	FNPT	COUPLING	C.S.	3 1/2"	
C	1	4"	FNPT	FIREGUARD COUPLING	C.S.	6 1/2"	SUPPLY/RETURN	H	1	4"	FNPT	FIREGUARD COUPLING	C.S.	6 1/2"	GAUGE
D	2	-	-	-	C.S.	12"	LIFTING LUG	I	1	4"	MNPT	NIPPLE	C.S.	6"	FILL
E	1	2"	FNPT	FIREGUARD COUPLING	C.S.	6 1/2"	NORMAL VENT	J	1	2"	FNPT	FIREGUARD COUPLING	C.S.	6 1/2"	GAUGE STICK



12" X 12" X 1/4" STRIKER PLATE (1 TYP.)



CUSTOMER APPROVAL SIGNATURE/DATE:

500 GALLON THERMALLY INSULATED (FIREGUARD) STORAGE TANK

CUSTOMER:
PROJECT:
AGENT:

DESIGN DATA

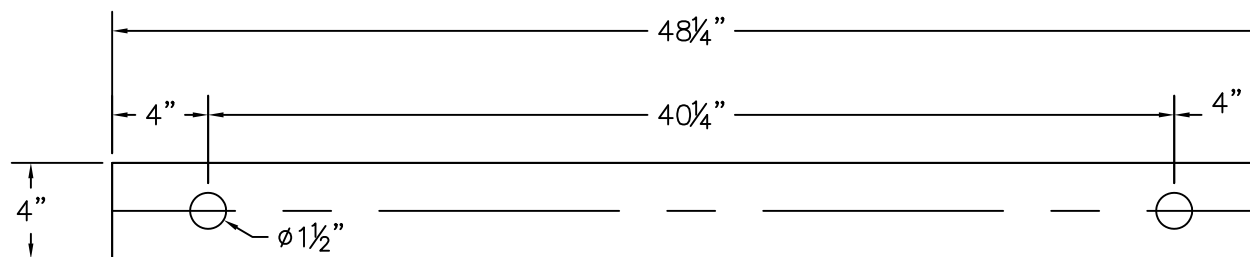
OPERATING PRESSURE - ATMOSPHERIC	JOINT DESIGN - PRI./SEC. LAP WELD
SPECIFIC OF GRAVITY - 1.0	ALL LINEAR DIMENSIONS SHALL BE ±1/4" AND ANGULAR DIMENSIONS WITHIN ±1°
TANK MATERIAL - ASTM A 36 CARBON STEEL	INTERIOR SURFACES: SSPC-SP-3 POWER TOOL CLEAN WELDS ONLY REMOVE ALL LOOSE DEBRIS
PRIMARY SHELL: 10 GA PRIMARY HEADS: 10 GA	EXTERIOR SURFACES: SSPC-SP-6 COMMERCIAL BLAST ONE COAT WHITE URETHANE @5-7mils DFT
SECONDARY SHELL: 3/16" SECONDARY HEADS: 3/16"	LABEL/MARKING: UNDERWRITERS LABORATORIES UL-2085/ STEEL TANK INSTITUTE FIREGUARD



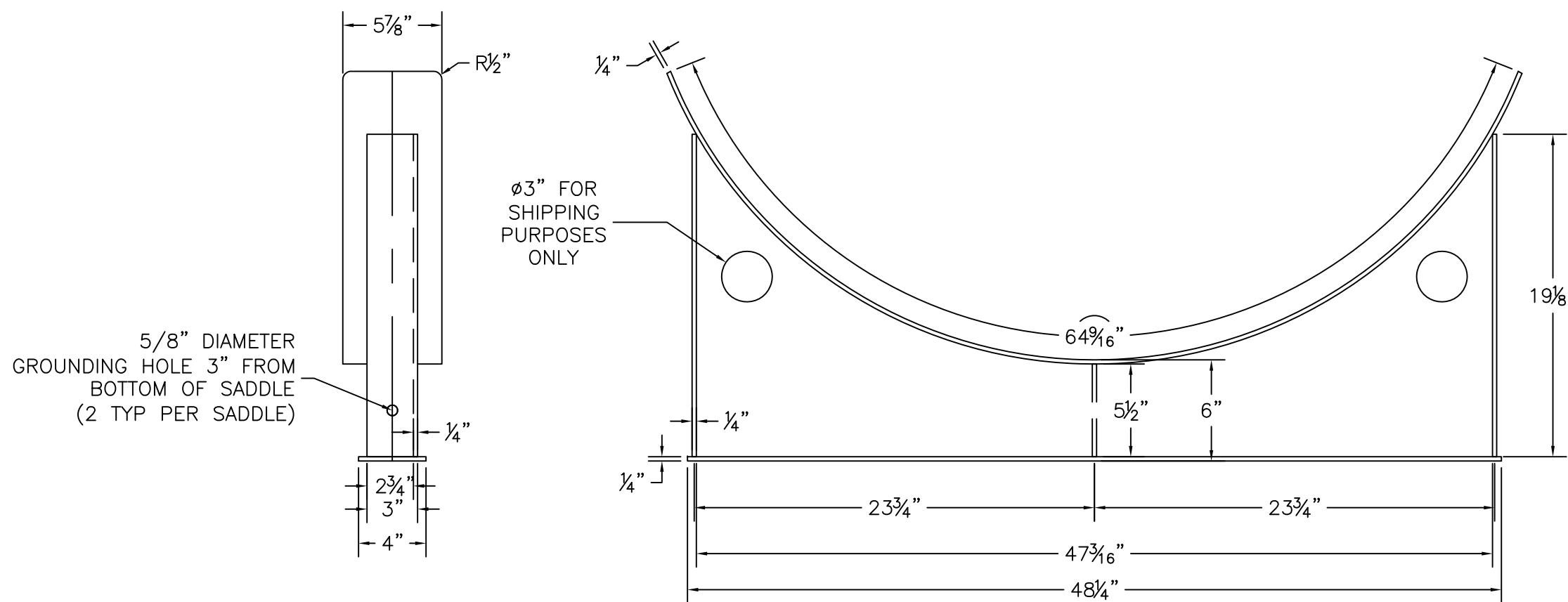
P.O. BOX 1279 GOLDSBORO, NC 27533
PHONE: (919)751-1791 FAX: (919)751-8186

DRAWING NUMBER: GIFG50054SAD REVISED 8/16

QUANTITY: ONE (1) REQUIRED
WEIGHT: 3,500 lbs ± 10%



BASE PLATE ANCHOR HOLE DETAIL



CUSTOMER APPROVAL SIGNATURE/DATE:

500 GAL 6" TALL SADDLE FOR 54" DIAMETER TANK

DESIGN DATA

MATERIAL - ASTM A 36 CARBON STEEL

EXTERIOR SURFACES: SSPC-SP-6 COMMERCIAL BLAST ONE COAT WHITE URETHANE
@5-7mils DFT

CUSTOMER:

PROJECT:

AGENT:

GENERAL INDUSTRIES

P.O. BOX 1279 GOLDSBORO, NC 27533
PHONE: (919)751-1791 FAX: (919)751-8186

DRAWING NUMBER:
SAD-ASY-FG-054500

REVISED 8/16

QUANTITY: TWO (2) REQUIRED
WEIGHT: 115 lbs ± 10%