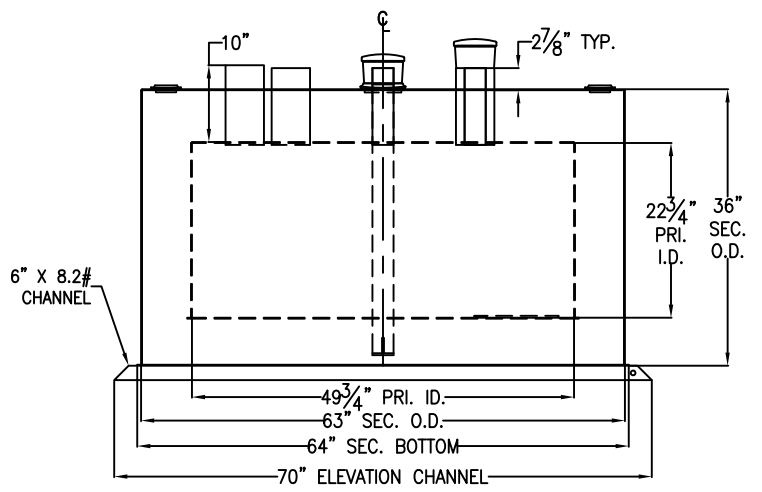
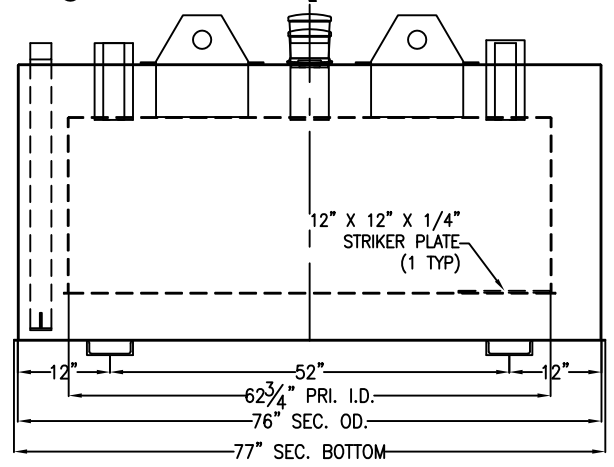


- A - 2" SCH 40 PIPE W/COUPLING ON END (INTERSTITIAL MONITOR / LEAK DETECTOR TUBE)
- B - 2" MNPT NIPPLE 10" LONG (NORMAL VENT)
- C - 4" MNPT NIPPLE 10" LONG (SUPPLY/RETURN)
- D - LIFTING LUG
- E - 2" FNPT FITTING (LIGHT WEIGHT CONCRETE FILL PORT)
- F - 4" MNPT NIPPLE 10" LONG W/MORRISON 2440 VENT (PRIMARY EMERGENCY VENT OPENING)
- G - 4" FNPT FITTING W/MORRISON 2440M VENT (SECONDARY EMERGENCY VENT OPENING)
- H - 2" MNPT NIPPLE 10" LONG (GAUGE STICK)
- I - 4" MNPT NIPPLE 10" LONG (FILL)
- J - 5/8" HOLE IN 6" ELEVATION CHANNEL FOR GROUNDING



CUSTOMER APPROVAL SIGNATURE/DATE:

300 GALLON THERMALLY INSULATED RECTANGULAR (FIREGUARD) STORAGE TANK

CUSTOMER:

SURFACE PREPARATION/COATING INFORMATION:
 INTERIOR SURFACES: N/A
 EXTERIOR SURFACES: SSPC-SP-6 COMMERCIAL BLAST FINISH PAINT WHITE

MATERIAL /CONSTRUCTION/ LABELING INFORMATION:
 MATERIAL: CARBON STEEL ASTM A 36 OR ASTM A 569
 MATERIAL THICKNESS: PRIMARY TANK: 10 GA
 SECONDARY TANK: 10 GA

PROJECT:
 AGENT:

QUANTITY: ONE (1) REQUIRED
 WEIGHT: 4,750 lbs ± 10%

LABELING/MARKING: UNDERWRITERS LABORATORIES UL-2085 / SWRI/
 STEEL TANK INSTITUTE FIREGUARD