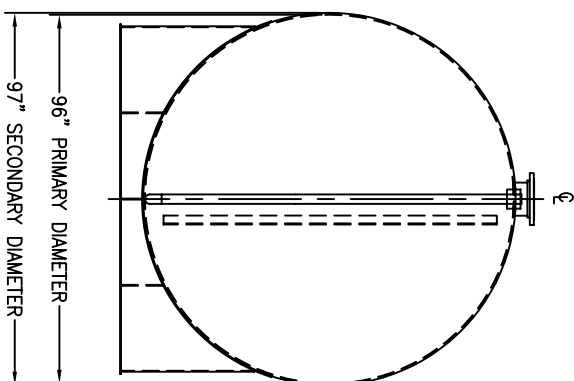
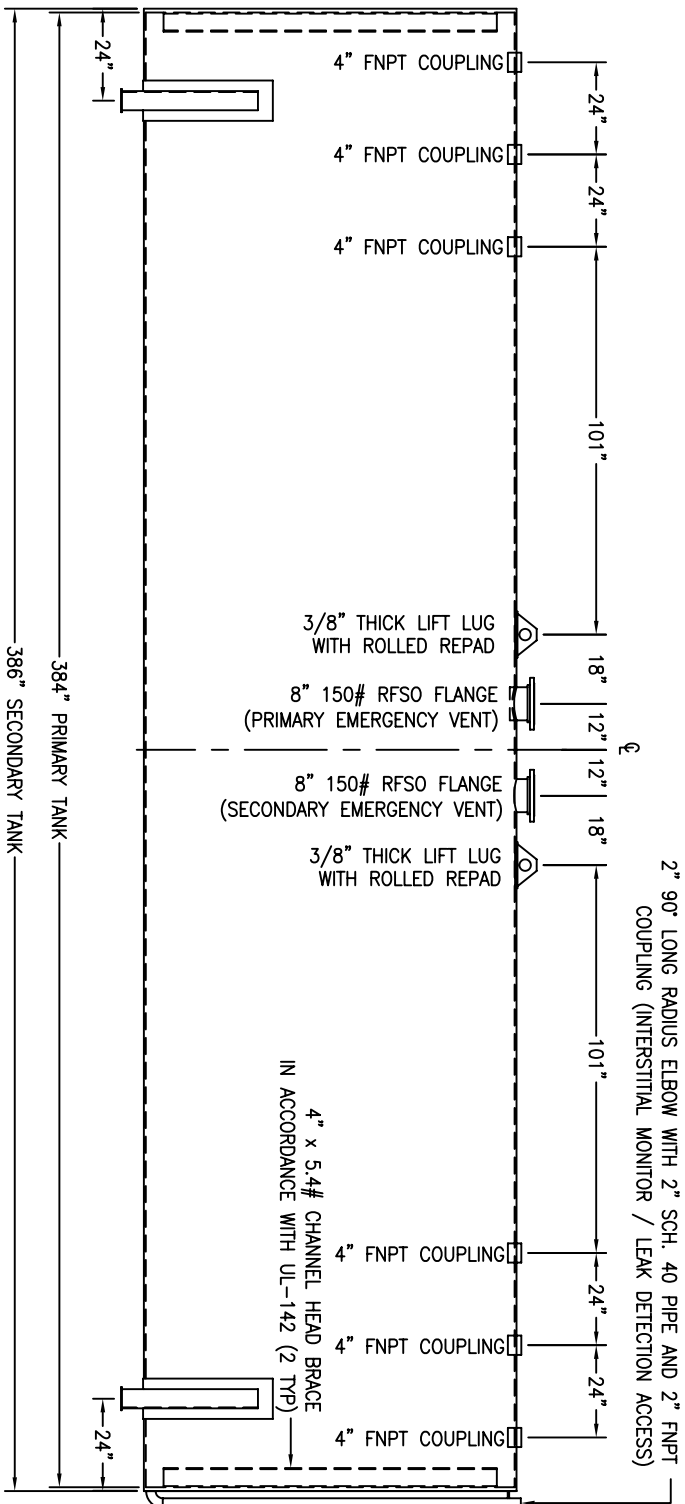


\*SADDLES ARE SEAL WELDED TO TANK



CUSTOMER APPROVAL SIGNATURE/DATE:

12,000 GALLON HORIZONTAL FLAMESHIELD D/W ABOVE GROUND TANK

SURFACE PREPARATION/COATING INFORMATION:

INTERIOR SURFACES: N/A  
 EXTERIOR SURFACES: SSPC-SP-6 COMMERCIAL BLAST CLEAN  
 ONE COAT EPOXY PRIMER @ 4mils DFT  
 ONE COAT WHITE URETHANE @ 6mils DFT

MATERIAL /CONSTRUCTION/ LABELING INFORMATION:

MATERIAL: CARBON STEEL (ASTM A 36, ASTM A 635 OR ASTM A 569)  
 MATERIAL THICKNESS: PRIMARY TANK SHELL AND HEADS: 1/4"  
 SECONDARY TANK SHELL AND HEADS: 7 GA  
 CONSTRUCTION IN ACCORDANCE WITH UNDERWRITERS LABORATORIES UL-142 / SFI F-921  
 STANDARDS FOR STEEL ABOVEGROUND TANKS FOR FLAMMABLE AND COMBUSTIBLE LIQUIDS  
 LABELING/MARKING: UNDERWRITERS LABORATORIES UL-142 /  
 GENERAL INDUSTRIES NAMEPLATE

QUANTITY: ONE (1) REQUIRED  
 WEIGHT: 0 lbs ± 5%

CUSTOMER:

PROJECT:

AGENTS: