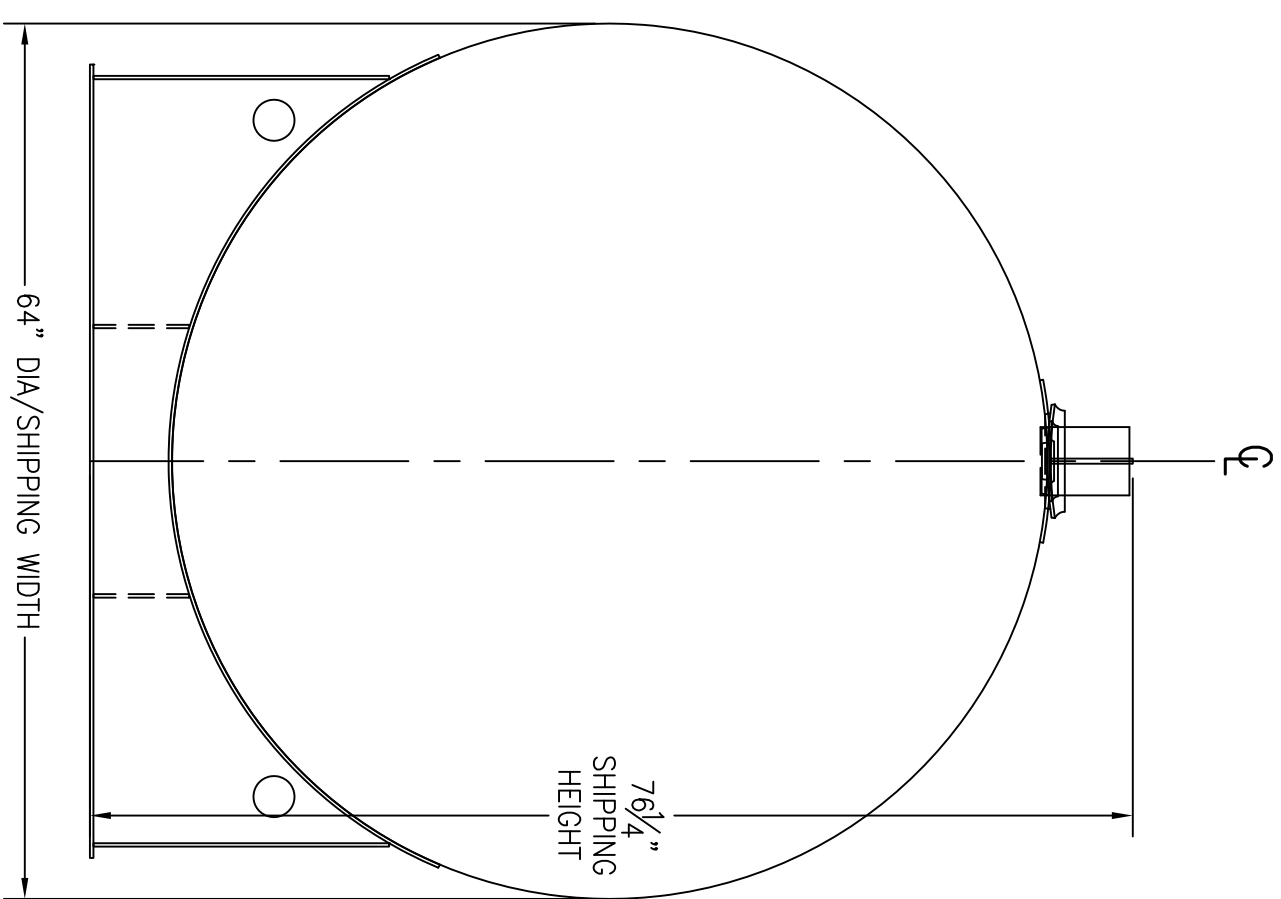
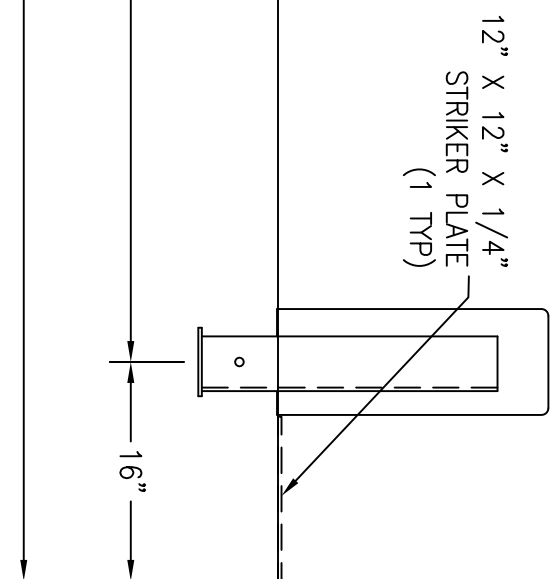
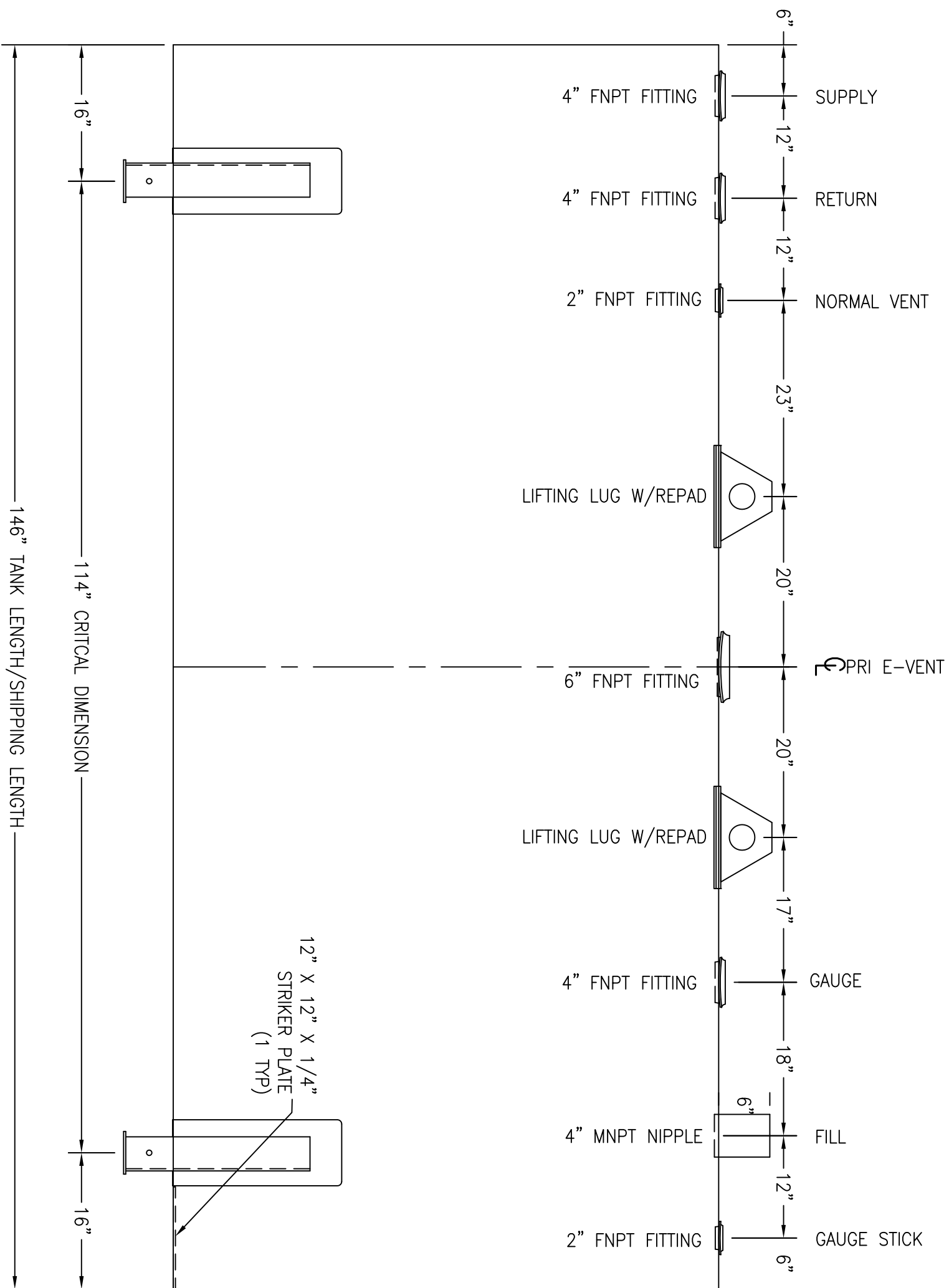


*SADDLES ARE SEAL WELDED TO TANK



CUSTOMER APPROVAL SIGNATURE/DATE:

2,000 GALLON HORIZONTAL S/W ABOVE GROUND TANK

SURFACE PREPARATION/COATING INFORMATION:

INTERIOR SURFACES: SSPC-SP-3 POWER TOOL CLEAN WELDS ONLY
 REMOVE ALL LOOSE DEBRIS
 EXTERIOR SURFACES: SSPC-SP-6 COMMERCIAL BLAST
 5-7 MILS ALIPHATIC URETHANE (WHITE)

MATERIAL /CONSTRUCTION/ LABELING INFORMATION:

MATERIAL: CARBON STEEL ASTM A 36 OR A 569
 MATERIAL THICKNESS: PRIMARY TANK SHELL AND HEADS: 7 GA

LABELING/MARKING: UNDERWRITERS LABORATORIES UL-142

QUANTITY: ONE (1) REQUIRED
 WEIGHT: 3,000 lbs ± 10%

CUSTOMER: _____
 PROJECT: _____
 AGENT: _____

P.O. BOX 1279 GOLDSBORO, NC 27533
 PHONE: (919)751-1791 FAX: (919)751-8186
 DRAWING NUMBER: GH02K64
 REVISED 6/15