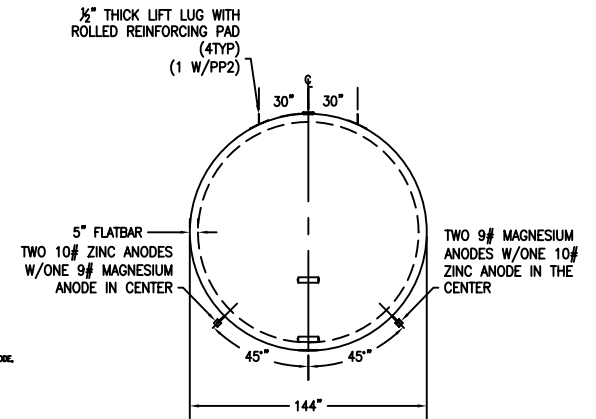
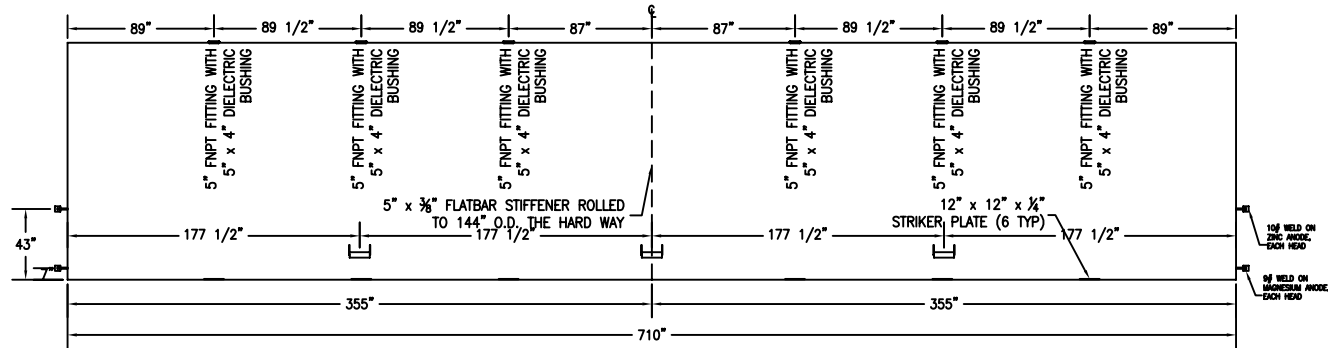


ALL OPENINGS INSTALLED WITH DI-ELECTRIC BUSHINGS OR SPOOL FLANGES AND FLANGE ISOLATION KITS IN ACCORDANCE WITH STEEL TANK INSTITUTE
 1/4" THICK STRIKER PLATES INSTALLED ON THE TANK INTERIOR BOTTOM UNDER EACH OPENING IN ACCORDANCE WITH STEEL TANK INSTITUTE
 ANODES FOR USE WITH THE STI-P3 CORROSION CONTROL SYSTEM INSTALLED IN ACCORDANCE WITH STEEL TANK INSTITUTE
 *** THIS TANK DESIGNED FOR BURIAL DEPTH OF 16 FEET (GRADE TO TOP OF TANK) WITH APPROVED BACKFILL MATERIAL ***



CUSTOMER APPROVAL SIGNATURE/DATE:

50,000 GALLON STI-P3 S/W UNDER GROUND TANK

SURFACE PREPARATION/COATING INFORMATION:

INTERIOR SURFACES:
 N/A
 EXTERIOR SURFACES:
 SSPC-SP-6 COMMERCIAL BLAST CLEAN
 10-15 mils MINIMUM STI APPROVED POLYURETHANE COATING

MATERIAL /CONSTRUCTION/ LABELING INFORMATION:

MATERIAL: CARBON STEEL (ASTM A 36, ASTM A 635 OR ASTM A 569)
 MATERIAL THICKNESS: PRI HEADS: 5/16" PRI SHELL: 3/8" ROARK = 0.3315 W/STIFFENER)
 CONSTRUCTION IN ACCORDANCE WITH UNDERWRITERS LABORATORIES UL-58 STANDARD FOR STEEL UNDERGROUND TANKS FOR FLAMMABLE AND COMBUSTIBLE LIQUIDS AND STEEL TANK INSTITUTE STI-P3 SPECIFICATION FOR EXTERNAL CORROSION PROTECTION OF UNDERGROUND STEEL STORAGE TANKS
 LABELING/MARKING: UNDERWRITERS LABORATORIES UL-58 / STEEL TANK INSTITUTE STI-P3 / GENERAL INDUSTRIES NAMEPLATE

CUSTOMER:
 PROJECT:
 AGENT:

P.O. BOX 1279 GOLDSBORO, NC 27533
 PHONE: (919)751-1791 FAX: (919)751-8186
 DRAWING NUMBER:

QUANTITY: ONE (1) REQUIRED
 WEIGHT: 32,950 lbs ± 5%