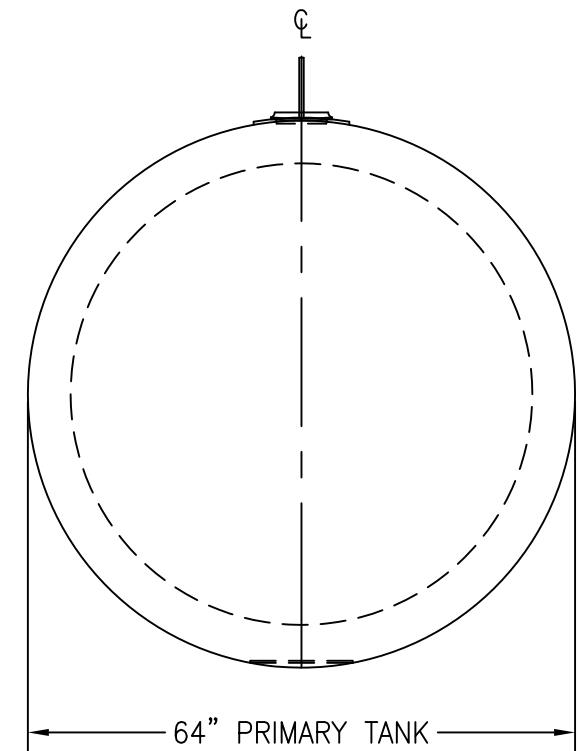
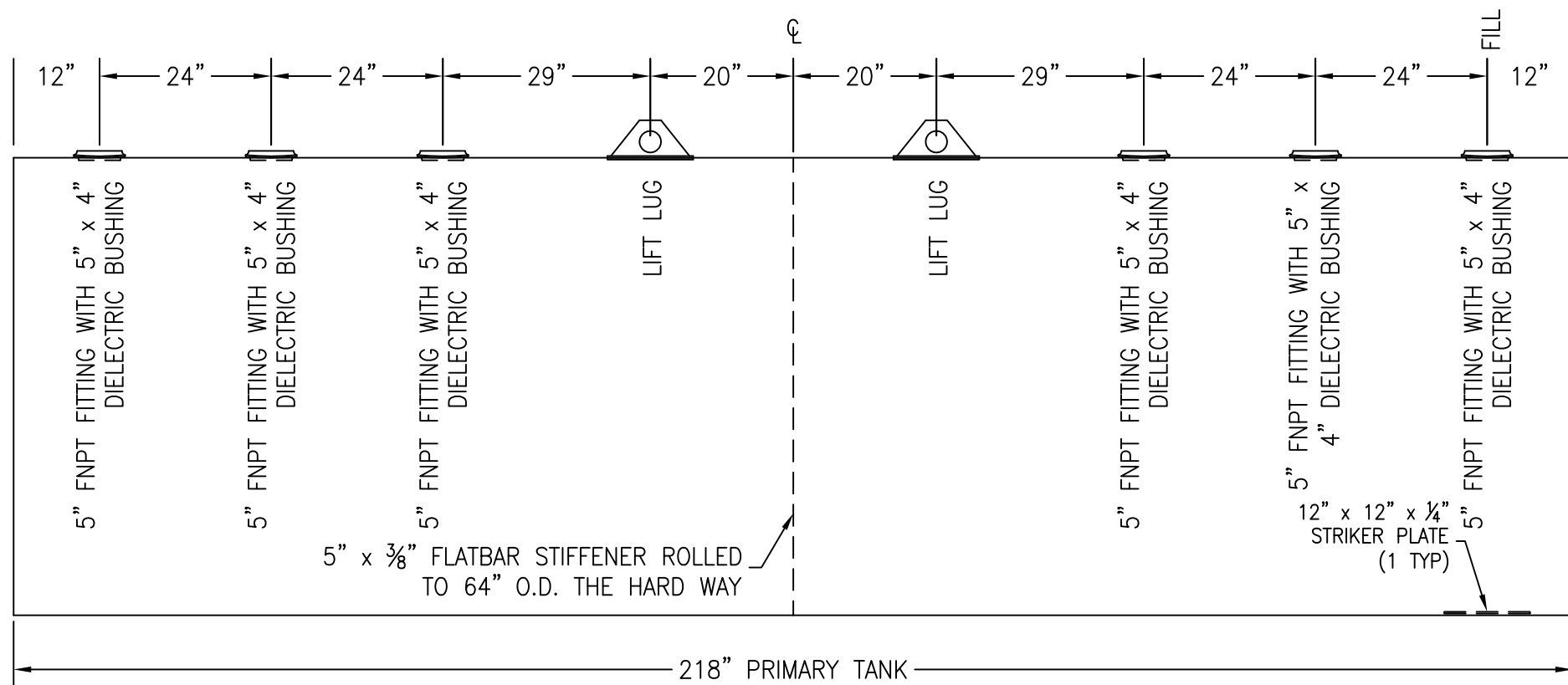


NOTES:

- 1) ALL OPENINGS INSTALLED WITH DI-ELECTRIC BUSHINGS OR SPOOL FLANGES AND FLANGE ISOLATION KITS IN ACCORDANCE WITH STEEL TANK INSTITUTE
- 2) THIS TANK DESIGNED FOR A BURIAL DEPTH OF 5 FEET (GRADE TO TOP OF TANK) WITH APPROVED BACKFILL MATERIAL \*\*\*\*\*




CUSTOMER APPROVAL SIGNATURE/DATE:

**3,000 GALLON S/W LECHATE UNDER GROUND TANK**

**SURFACE PREPARATION/COATING INFORMATION:**  
 INTERIOR SURFACES: SSPC-SP-3 POWER TOOL CLEAN WELDS ONLY REMOVE ALL LOOSE DEBRIS  
  
 EXTERIOR SURFACES: SSPC-SP-6 COMMERCIAL BLAST CLEAN 75 mils UL-1746 APPROVED POLYURETHANE COATING

**MATERIAL /CONSTRUCTION/ LABELING INFORMATION:**  
 MATERIAL: CARBON STEEL ASTM A 36 OR A 569  
 MATERIAL THICKNESS: PRIMARY HEADS: 10 GA PRIMARY TANK: ROARK MIN. 0.123 W/STIFFENER  
  
 LABELING/MARKING: UNDERWRITERS LABORATORIES UL-58

CUSTOMER:  
 PROJECT:  
 AGENT:  
  
 P.O. BOX 1279 GOLDSBORO, NC 27533  
 PHONE: (919)751-1791 FAX: (919)751-8186  
 DRAWING NUMBER:  
**GWUG-L-0364** 11/2014

QUANTITY: ONE (1) REQUIRED  
 WEIGHT: 2,750 lbs ± 10%