

CODE COMPLIANCES:

NFPA 30 (2003) Flammable & Combustible Liquids Code

NFPA 37 (2002) Flammable & Combustible Liquids Code

NFPA 110 (2003) Flammable & Combustible Liquids Code

IFC Fire Code (2003)

40 CFR 110 Oil Pollution Act as Ammended (2005)

N.C. Fire Prevention Code (2004)

LABELS & STANDARDS:

UL-142 Double Wall

UL-2085 Double Wall with (Fire Protection, Ballistic Protection & Vehicle Impact Protection)

STYLE & CONSTRUCTION:

Flange Rim

Internal Supports

External Beam Supports

Heavy Gauge (10 ga. - 1/4")

Elevation Beams (available for bottom corrosion protection & observation)

Upgraded Exterior Paint System for corrosion protection

CAPACITY:

200 gallons to 13,000 gallons

ACCESSORIES:

Overspill Basin

Overfill Valve

Gauges

Vents

Leak & Level Sensor

Continuous Fuel Level Gauge

Interface with Building

Management System & Genset Panel

Fuel Filtration System

Optional: Lift Lugs

QUALITY ASSURANCE / WARRANTY / INSURANCE:

Third Party Inspection by UL & STI & SWRI

30 Year Warranty (Available)

1 mil Product Liability & Pollution Recovery



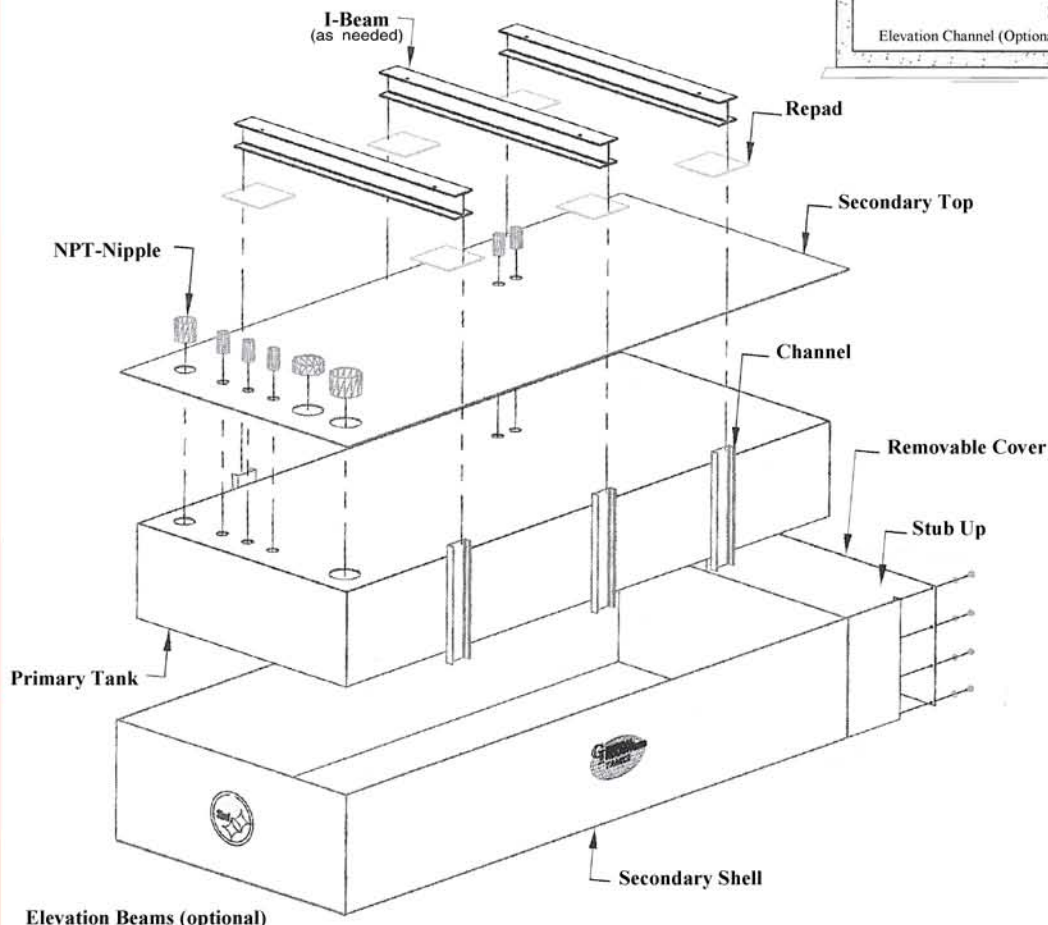
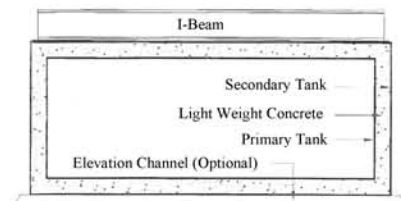
General Industries



P.O. Box 1279
Goldsboro, NC 27533
Office (919) 751-1791 Fax (919) 751-8186



UL-2085 PROTECTED GENERATOR BASE TANKS



Manufacturing Tanks for over 50 Years

Each tank manufactured by General Industries, Inc. must pass a multi-step quality control program. Tanks are tested at various stages during the manufacturing process to assure quality, with all results documented for future inspection.

www.gitank.com

E-mail: tanks@gitank.com

