

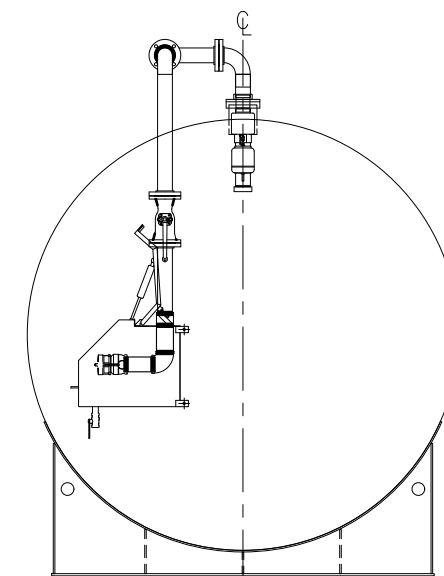
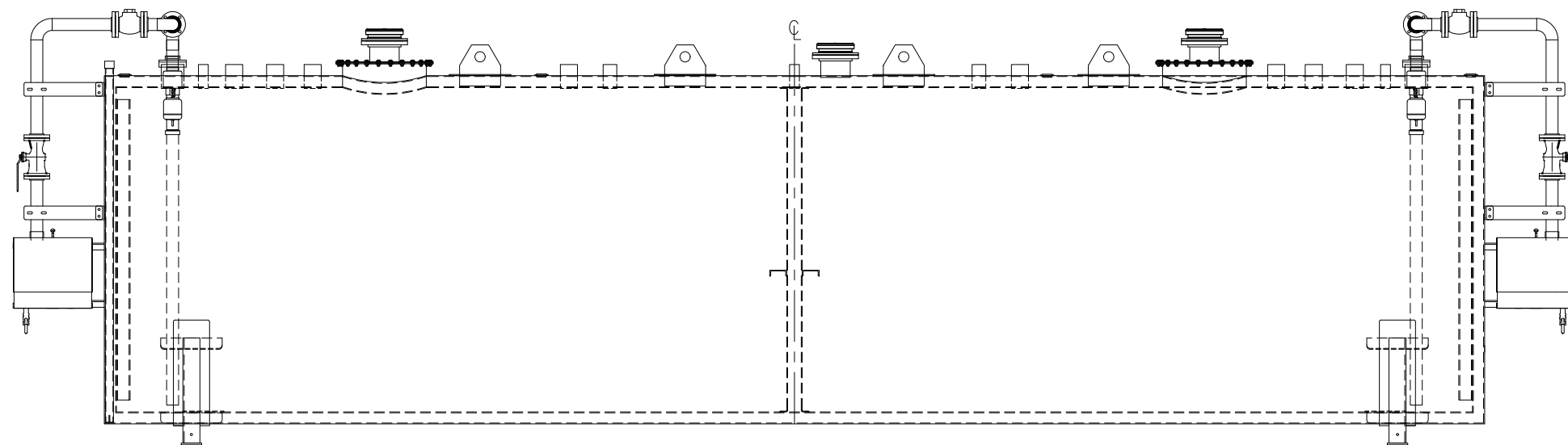
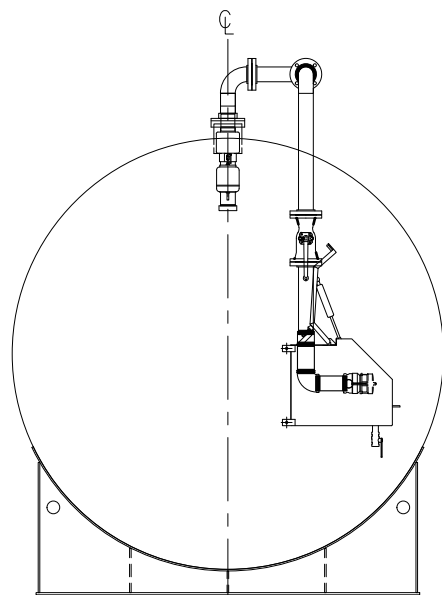
CUSTOMER APPROVAL SIGNATURE/DATE:

CUSTOMER:  
PROJECT:  
AGENT:

**GENERAL INDUSTRIES**


P.O. BOX 1279 GOLDSBORO, NC 27533  
PHONE: (919)751-1791 FAX: (919)751-8186  
DRAWING NUMBER:

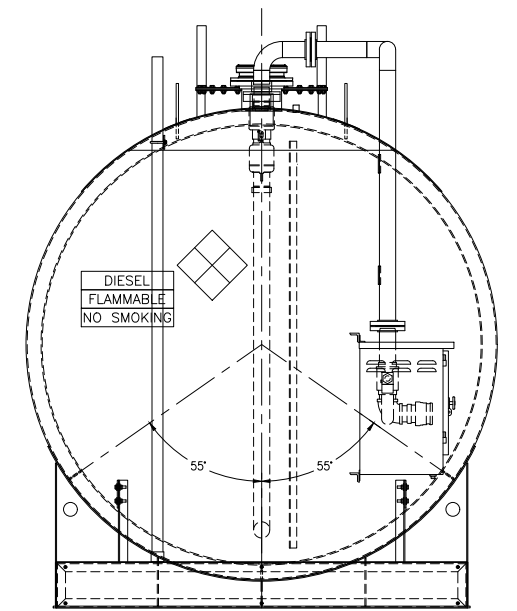
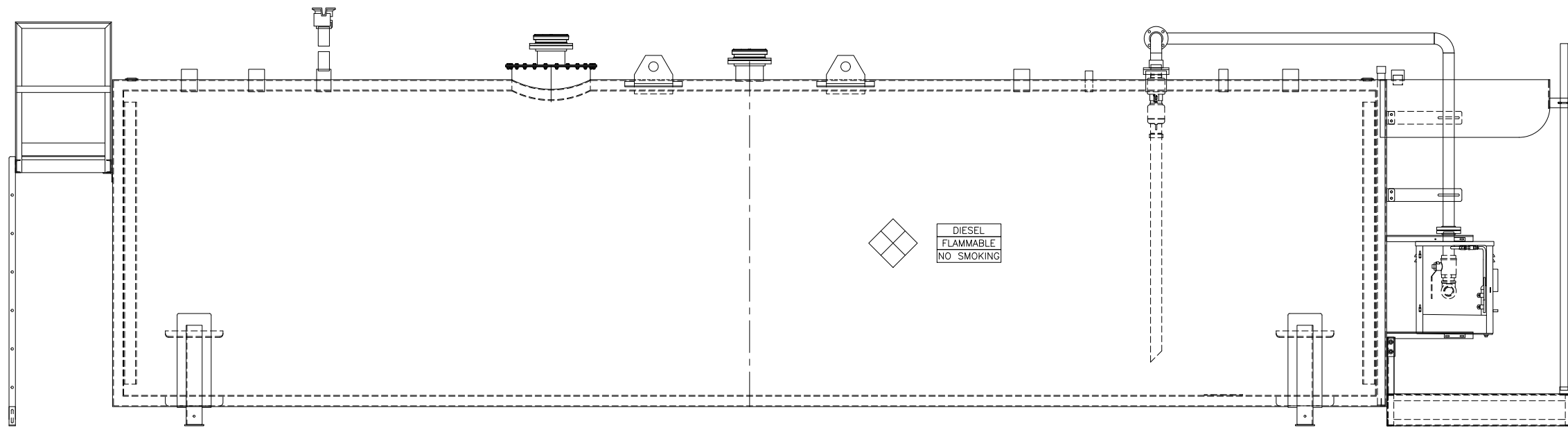
12.18.2023



CUSTOMER APPROVAL SIGNATURE/DATE:

--

CUSTOMER:
PROJECT:
AGENT:

P.O. BOX 1279      GOLDSBORO, NC 27533 PHONE: (919)751-1791      FAX: (919)751-8186
DRAWING NUMBER:
12.18.2023



CUSTOMER APPROVAL SIGNATURE/DATE:

CUSTOMER:

PROJECT:

AGENT:

**GENERAL INDUSTRIES**

P.O. BOX 1279 GOLDSBORO, NC 27533  
 PHONE: (919)751-1791 FAX: (919)751-8186

DRAWING NUMBER:

12.18.2023