

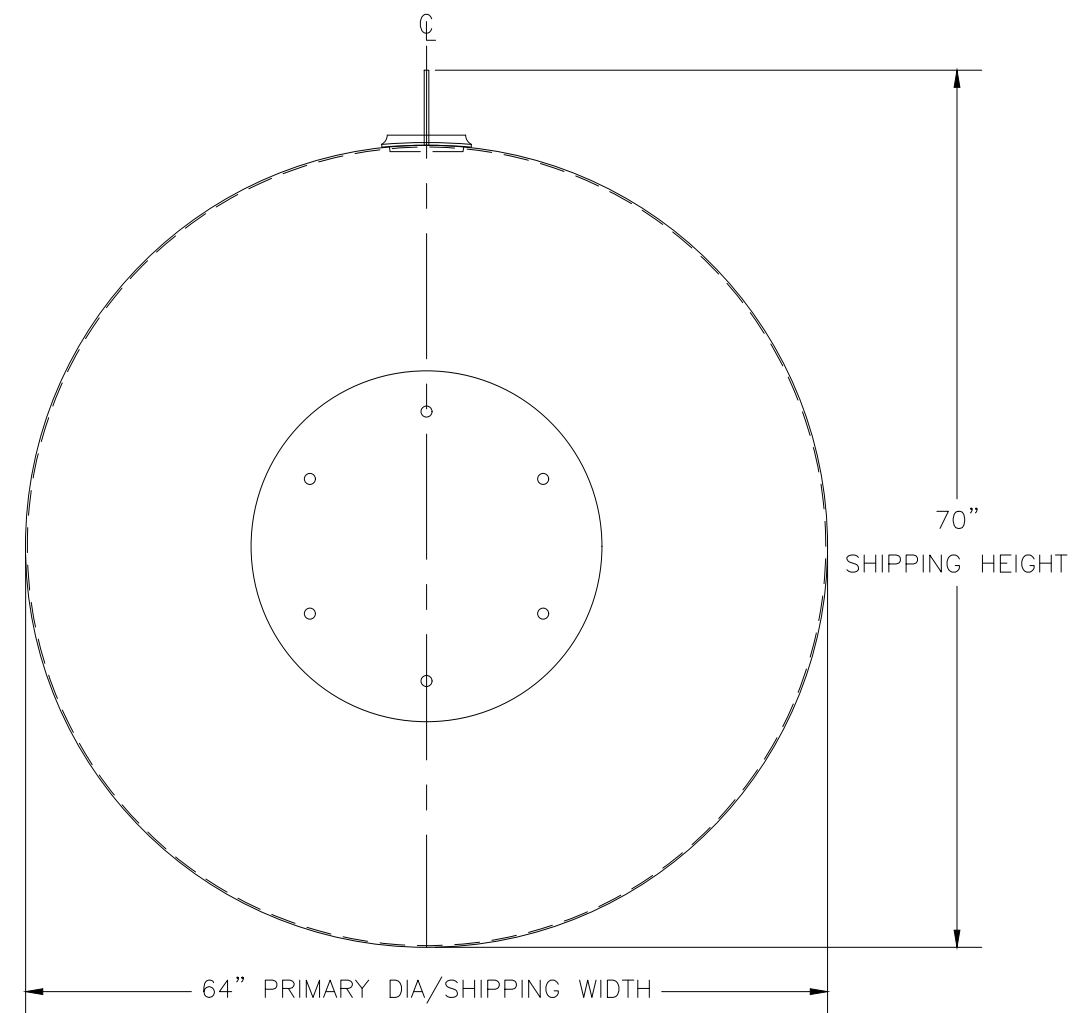
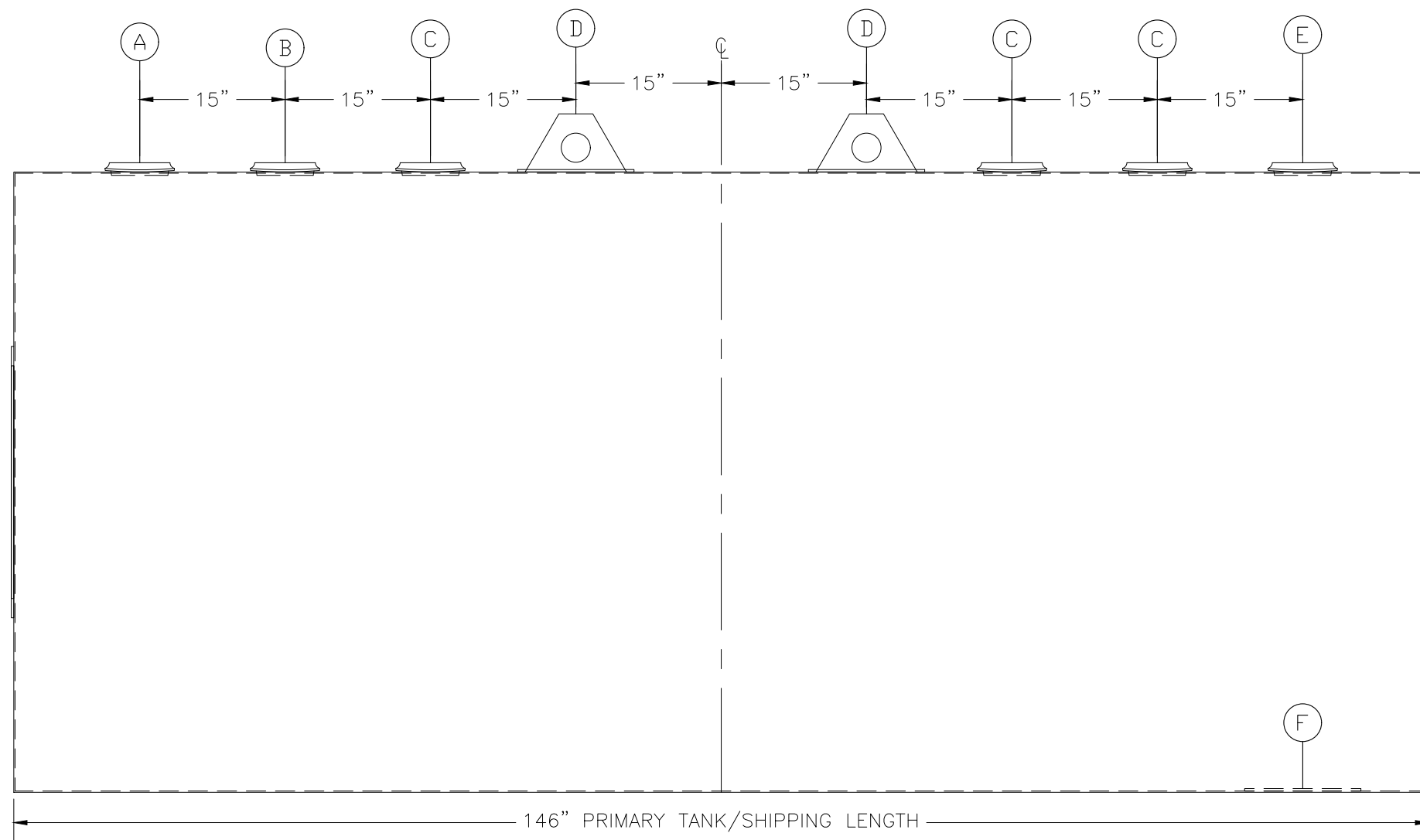
Parts List

ITEM	QTY	SIZE	RATING	TYPE	MATERIAL	PROJ. DUT	FUNCTION	ITEM	QTY	SIZE	RATING	TYPE	MATERIAL	PROJ. DUT	FUNCTION
A	1	5"	FNPT	FITTING	C.S		SUPPLY W/5"X4" DIELECTRIC BUSHING	D	2						LIFT LUG
B	1	5"	FNPT	FITTING	C.S		RETURN W/5"X4" DIELECTRIC BUSHING	E	1	5"	FNPT	FITTING	C.S		FILL W/5"X4" DIELECTRIC BUSHING
C	3	5"	FNPT	FITTING	C.S		SPARE W/5"X4" DIELECTRIC BUSHING	F	1				C.S		12" X 12" X 1/4" STRIKER PLATE



THIS TANK IS DESIGNED FOR A BURIAL DEPTH OF 5 FEET (GRADE TO TOP OF TANK) WITH APPROVED BACKFILL MATERIAL

MINIMUM OF 1 STRIKER PLATE MUST BE INSTALLED DIRECTLY UNDER THE FILL OPENING PER UL-58



CUSTOMER APPROVAL SIGNATURE/DATE:

2,000 GALLON ACT-100 S/W UNDERGROUND TANK

DESIGN DATA

OPERATING PRESSURE: ATMOSPHERIC	JOINT DESIGN: PRI. LAP WELD
SPECIFIC GRAVITY: 1.0	ALL LINEAR DIMENSIONS SHALL BE $\pm 1/4"$ AND ANGULAR DIMENSIONS WITHIN $\pm 1^\circ$
TANK MATERIAL: ASTM A36 CARBON STEEL	INTERIOR SURFACES: SSPC-SP-3 BLAST (POWER TOOL CLEAN)
ROARK MIN: .123 (10GA) PRIMARY HEADS: 10GA SECONDARY TANK: 100 MILS FRP COATING	EXTERIOR SURFACES: SSPC-SP-6 COMMERCIAL BLAST CLEAN 100 MILS SEC. FIBERGLASS CONTAINMENT
	LABEL/MARKING: UNDERWRITERS LABORATORIES UL-58/ STEEL TANK INSTITUTE PERMATANK

CUSTOMER:
PROJECT:
AGENT:



P.O. BOX 1279 GOLDSBORO, NC 27533
PHONE: (919)751-1791 FAX: (919)751-8186
DRAWING NUMBER: GIA02K64
1.20.2022

QUANTITY: ONE (1) REQUIRED
WEIGHT: 2,292 lbs $\pm 10\%$