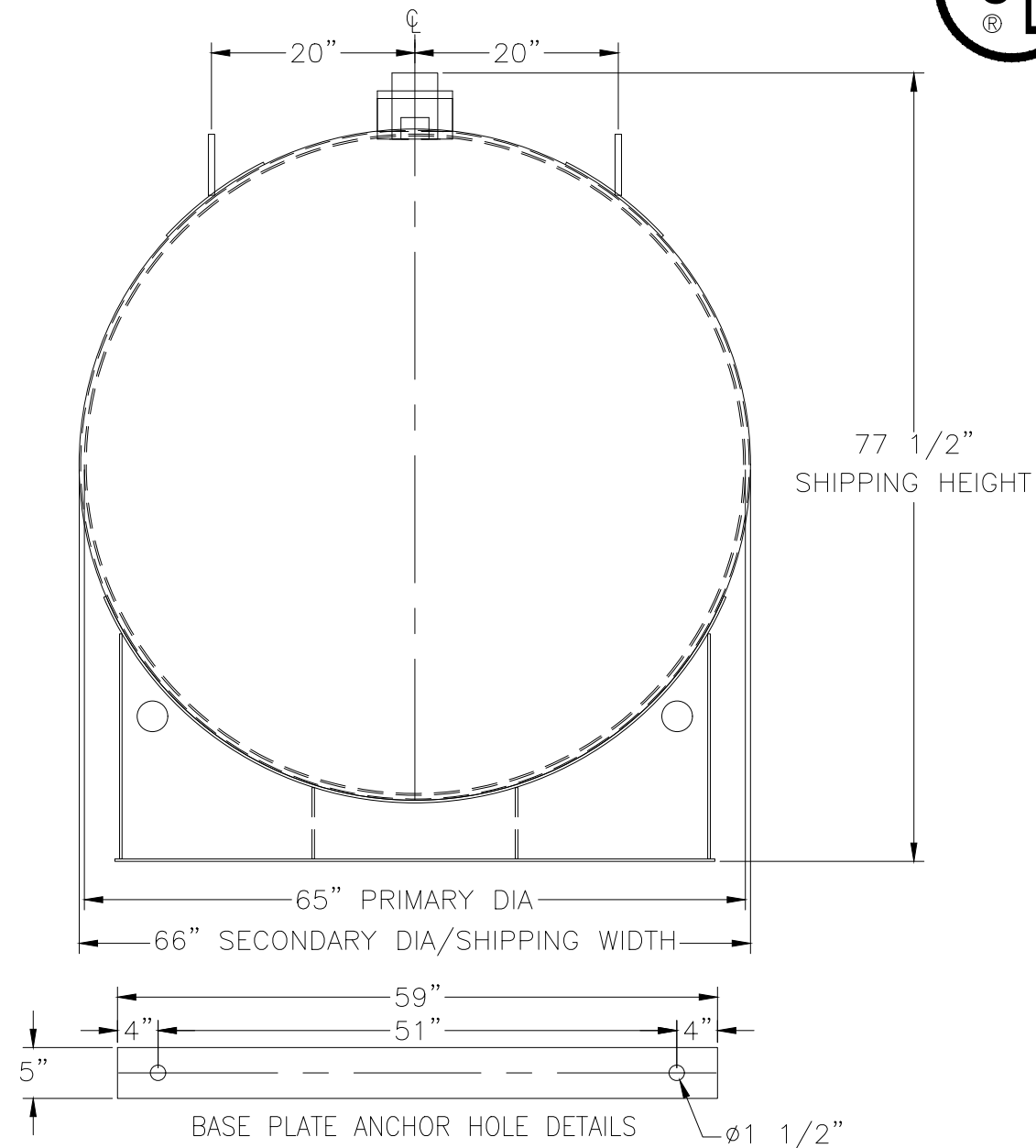
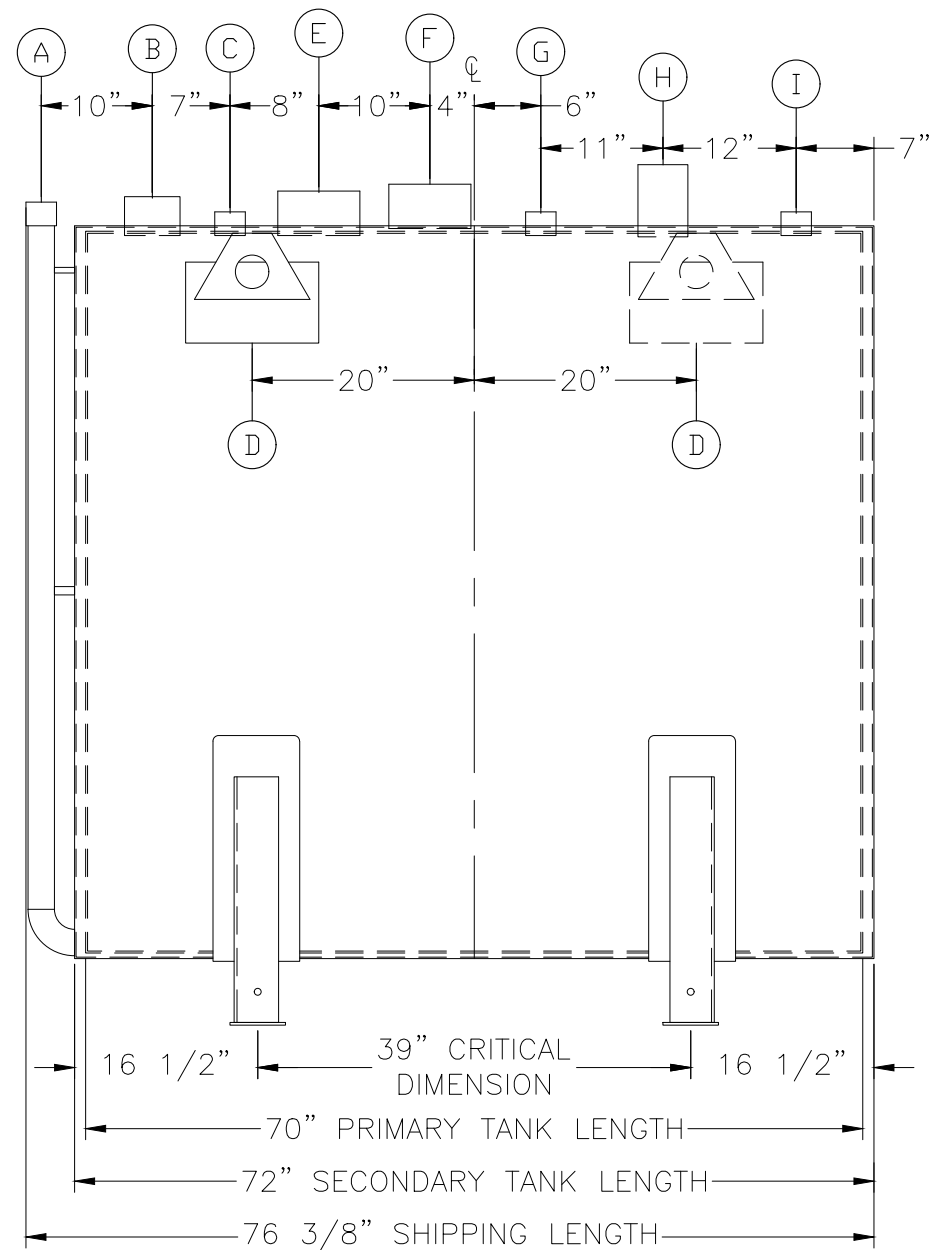


Parts List

ITEM	QTY	SIZE	RATING	TYPE	MATERIAL	PROJ. OUT	FUNCTION	ITEM	QTY	SIZE	RATING	TYPE	MATERIAL	PROJ. OUT	FUNCTION
A	1	2"	FNPT	COUPLING	C.S	-	INTERSTITIAL MONITOR PIPE	F	1	6"	FNPT	COUPLING	C.S	3 3/4"	SECONDARY E-VENT
B	1	4"	FNPT	COUPLING	C.S	3 1/8"	SUPPLY/RETURN	G	1	2"	FNPT	COUPLING	C.S	1 3/4"	GAUGE
C	1	2"	FNPT	COUPLING	C.S	1 3/4"	NORMAL VENT	H	1	4"	MNPT	NIPPLE	C.S	6"	FILL
D	2	-	-	-	C.S	-	LIFTING LUG	I	1	2"	FNPT	COUPLING	C.S	1 3/4"	GAUGE STICK
E	1	6"	FNPT	COUPLING	C.S	3 5/8"	PRIMARY E-VENT								



Underwriters Laboratories Inc.
LISTED ®

ALL DIMENSIONS ARE FROM THE PRIMARY TANK W/ EXCEPTION OF SECONDARY E-VENT

CUSTOMER APPROVAL SIGNATURE/DATE:

1,000 GALLON HORIZONTAL D/W ABOVE GROUND TANK

DESIGN DATA

OPERATING PRESSURE: ATMOSPHERIC	JOINT DESIGN: LAP WELD
SPECIFIC GRAVITY: 1.0	ALL LINEAR DIMENSIONS SHALL BE $\pm 1/4''$ AND ANGULAR DIMENSIONS WITHIN $\pm 1^\circ$
TANK MATERIAL: ASTM A36 CARBON STEEL	INTERIOR SURFACES: SSPC-SP-3 (POWER TOOL CLEAN)
PRIMARY SHELL: 7GA PRIMARY HEADS: 7GA SECONDARY SHELL: 10GA SECONDARY HEADS: 10GA	EXTERIOR SURFACES: SSPC-SP-6 BLAST & 5-7 MILS WHITE URETHANE
	LABEL/MARKING: UNDERWRITERS LABORATORIES UL-142

CUSTOMER:
PROJECT:
AGENT:

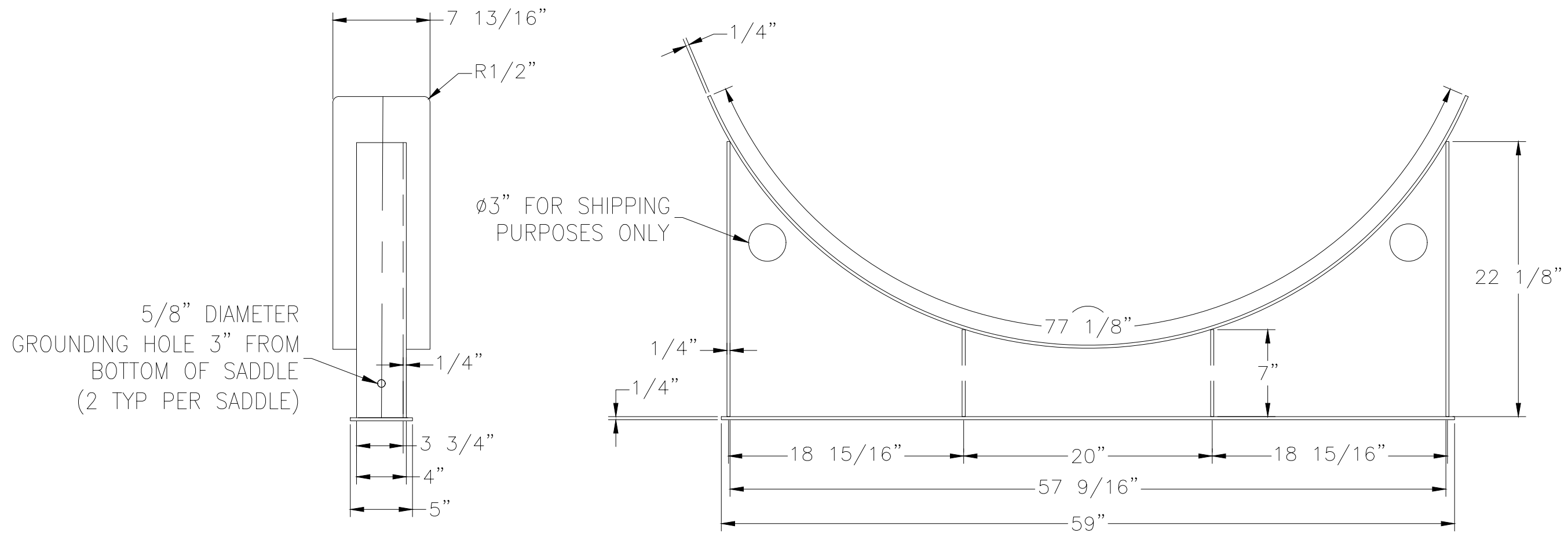
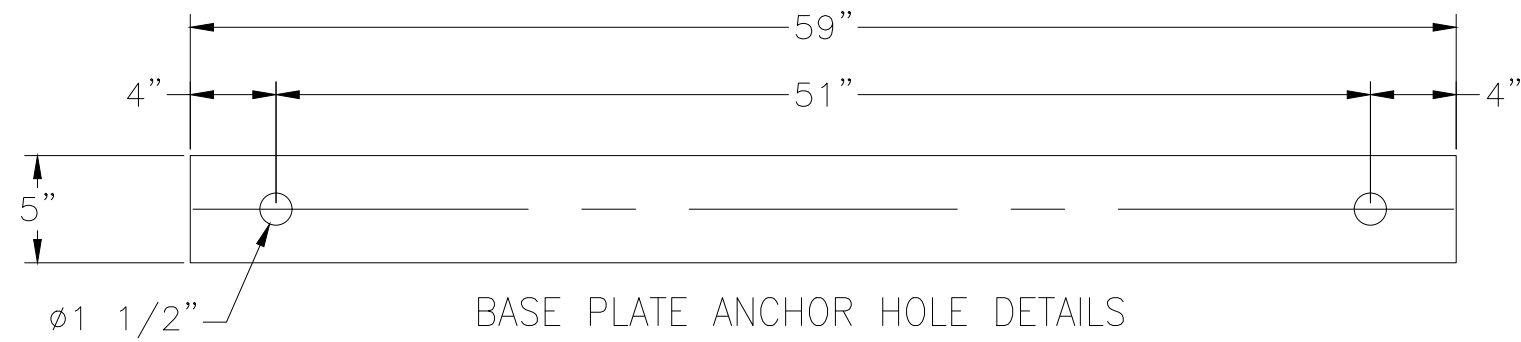


P.O. BOX 1279 GOLDSBORO, NC 27533
PHONE: (919)751-1791 FAX: (919)751-8186

DRAWING NUMBER:
GIDH01K66SAD

1.11.2022

QUANTITY: ONE (1) REQUIRED
WEIGHT: 3,090 lbs \pm 10%



CUSTOMER APPROVAL SIGNATURE/DATE:

1,000 GAL 6" TALL SADDLE FOR 66" DIAMETER TANK

DESIGN DATA
MATERIAL - ASTM A 36 CARBON STEEL
EXTERIOR SURFACES: SSPC-SP-6 COMMERCIAL BLAST ONE COAT WHITE URETHANE @5-7mils DFT

CUSTOMER:
PROJECT:
AGENT:



P.O. BOX 1279 GOLDSBORO, NC 27533
PHONE: (919)751-1791 FAX: (919)751-8186
DRAWING NUMBER:
GIDH01K66SAD/1 1.11.2022

QUANTITY: TWO (2) REQUIRED
WEIGHT: 121 lbs ± 10%